



RAMLOK WIRELOCK CYLINDERS



EXPERIENCE • EXPERTISE • QUALITY • SERVICE



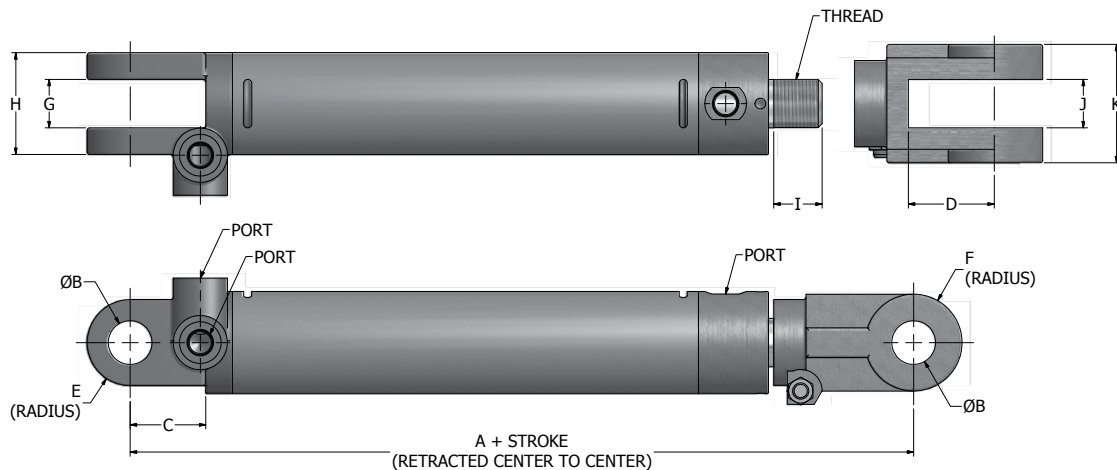
RAMLOK[®] WIRELOCK

The RAMLOK uses two internal high tensile spring steel rings to securely lock the cylinder barrel to the head and base. With a 3000 PSI operating pressure, these cylinders are a viable alternative to Tyrod and welded cylinder designs.



STANDARD FEATURES

- | | |
|--|---|
| Intended Use: Double acting applications | Piston Locknut: High tensile grade C |
| Rated Pressure: 3000 PSI | Pin & Pin Clip: High tensile zinc-plated steel |
| Rod Material: High tensile SAE C1045,
ground and polished hard chrome plated | End Mounts: Female clevises |
| Barrel Material: High tensile SAE C1026
St52.3 cold drawn tube precision honed
for extended seal life | Clevis Clamp: Grade 8 bolt and nut |
| Gland Material: Ductile iron 65-45-12 (ASTM A536) | Ports: SAE |
| Piston Material: Ductile iron 65-45-12 (ASTM A536) | Port Plugs: High quality steel |
| | Internal Seals: North American |
| | Paint Finish: 2 part urethane black (or custom colors) |
| | Testing: 100% full cycle tested |



RAMLOK[™] SERIES DIMENSIONS

Bore	A	B	C	D	E	F	G	H	I	J	K	Ports	Threads
2.00	10.25*	1.015	1.88	2.00	1.00	1.13	1.13	2.50	1.13	1.13	2.75	SAE-6	1.125 - 12 UNF
2.50	10.25*	1.015	1.88	2.00	1.00	1.13	1.13	2.63	1.13	1.13	2.75	SAE-6	1.125 - 12 UNF
3.00	10.25*	1.015	1.88	2.00	1.00	1.13	1.13	2.63	1.13	1.13	2.75	SAE-8	1.250 - 12 UNF
3.50	10.25*	1.015	1.88	2.00	1.13	1.13	1.13	2.63	1.13	1.13	2.75	SAE-8	1.250 - 12 UNF
4.00	10.25*	1.015	1.88	2.00	1.13	1.13	1.13	2.81	1.13	1.13	2.75	SAE-8	1.250 - 12 UNF

*For the standard ASAE (8" stroke) cylinders this dimension is 12.25"

Measurements for A, B, C, D, E, F, G, H, I, J, K are in inches.

All Specifications are subject to change without notice.

Bore (inches)	RAM Part Number	Stroke (inches)	Rod Diameter (inches)	Pin Center to Center (inches)		Ports	Pin Diameter Nominal (inches)	Maximum Rated Pressure & Column Load on Full Extension		Shipping Weight (lbs)
				Retracted	Extended			Pressure (PSI)	Load (lbf)	
2.00	R4505548C	4	1.125	14.25	18.25	SAE-6	1.000	3000	9425	14
	R4505549C	6	1.125	16.25	22.25					15
	R4505550C	8	1.125	18.25	26.25					16
	R4505551C*	8	1.125	20.25	28.25					16.5
	R4505552C	10	1.125	20.25	30.25					18
	R4505553C	12	1.125	22.25	34.25					19
	R4505554C	14	1.125	24.25	38.25					20
	R4505555C	16	1.125	26.25	42.25					21
	R4505556C	18	1.125	28.25	46.25					22
	R4505557C	20	1.125	30.25	50.25					23
	R4505558C	24	1.125	34.25	58.25					27
	R4505559C	30	1.125	40.25	70.25					32
R4505560C	36	1.125	46.25	82.25	37					
2.50	R4505561C	4	1.125	14.25	18.25	SAE-6	1.000	3000	14726	15
	R4505562C	6	1.125	16.25	22.25					17
	R4505563C	8	1.125	18.25	26.25					19
	R4505564C*	8	1.125	20.25	28.25					19.5
	R4505565C	10	1.125	20.25	30.25					21
	R4505566C	12	1.125	22.25	34.25					23
	R4505567C	14	1.125	24.25	38.25					25
	R4505568C	16	1.250	26.25	42.25					27
	R4505569C	18	1.250	28.25	46.25					29
	R4505570C	20	1.250	30.25	50.25					31
	R4505571C	24	1.250	34.25	58.25					34
	R4505572C	30	1.250	40.25	70.25					39
	R4505573C	36	1.250	46.25	82.25					44
	3.00	R4505574C	4	1.250	14.25					18.25
R4505575C		6	1.250	16.25	22.25	21				
R4505576C		8	1.250	18.25	26.25	25				
R4505577C*		8	1.250	20.25	28.25	25.5				
R4505578C		10	1.250	20.25	30.25	28				
R4505579C		12	1.250	22.25	34.25	30				
R4505580C		14	1.250	24.25	38.25	32				
R4505581C		16	1.500	26.25	42.25	35				
R4505582C		18	1.500	28.25	46.25	37				
R4505583C		20	1.500	30.25	50.25	39				
R4505584C		24	1.500	34.25	58.25	43				
R4505585C		30	1.500	40.25	70.25	49				
R4505586C		36	1.500	46.25	82.25	55				
3.50		R4505587C	4	1.250	14.25	18.25	SAE-8	1.000	3000	28863
	R4505588C	6	1.250	16.25	22.25	30				
	R4505589C	8	1.250	18.25	26.25	32				
	R4505590C*	8	1.250	20.25	28.25	32.5				
	R4505591C	10	1.250	20.25	30.25	34				
	R4505592C	12	1.250	22.25	34.25	36				
	R4505593C	14	1.250	24.25	38.25	38				
	R4505594C	16	1.500	26.25	42.25	45				
	R4505595C	18	1.500	28.25	46.25	47				
	R4505596C	20	1.500	30.25	50.25	49				
	R4505597C	24	1.500	34.25	58.25	53				
	R4505598C	30	1.500	40.25	70.25	59				
	R4505599C	36	1.500	46.25	82.25	65				
	4.00	R4505600C	4	1.375	14.25	18.25				
R4505601C		6	1.375	16.25	22.25	35				
R4505602C		8	1.375	18.25	26.25	38				
R4505603C*		8	1.375	20.25	28.25	38.5				
R4505604C		10	1.375	20.25	30.25	40				
R4505605C		12	1.375	22.25	34.25	43				
R4505606C		14	1.375	24.25	38.25	46				
R4505607C		16	1.750	26.25	42.25	52				
R4505608C		18	1.750	28.25	46.25	56				
R4505609C		20	1.750	30.25	50.25	59				
R4505610C		24	1.750	34.25	58.25	66				
R4505611C		30	1.750	40.25	70.25	76				
R4505612C		36	1.750	46.25	82.25	86				

*Conforms to ASAE (American Society of Agricultural Engineers) specifications.

All Specifications are subject to change without notice.
All weights are approximate shipping weights.





RAM INDUSTRIES INC.

PO Box 5007 33 York Rd E Yorkton, SK S3N3Z4 Canada

T: 1-877-799-1005 • F: (306) 786-2651

www.ramindustries.com • sales@ramindustries.com



www.ramindustries.com

Hydraulic Cylinder Design & Manufacturing • Precision Custom Machining