



STANDARD TELESCOPIC CYLINDERS



EXPERIENCE • EXPERTISE • QUALITY • SERVICE



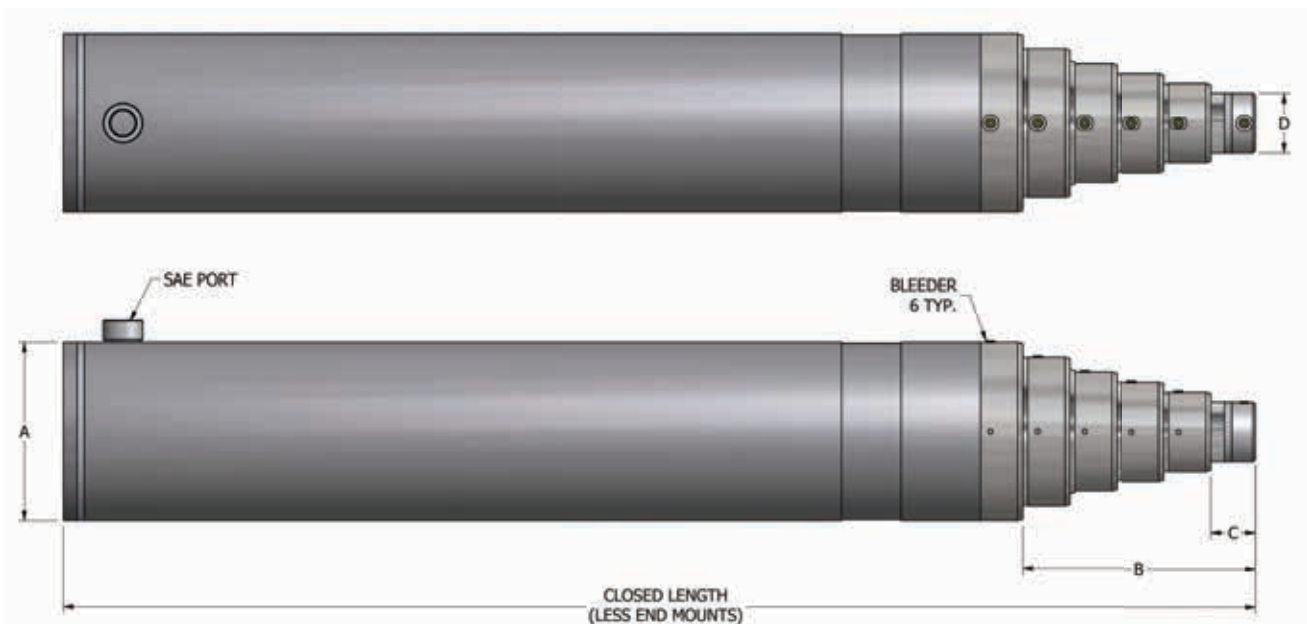
SINGLE ACTING TELESCOPIC

RAM is pleased to offer a full line of standard telescopic designs for your equipment. These designs are pre-engineered using in stock material and internal components for quick order turnaround. With 36 base designs to select from, all you need to do is pick the configuration, stroke and mounting option that works best for your application. RAM offers both Single and Double Acting designs with up to 5 stages, and a wide selection of standard mount configurations. Not sure what is the fit best for you? Contact the RAM engineering team and let them help you select the best design for your equipment needs.

The Single Acting Telescopic cylinder is the simplest of telescopic designs. A Single Acting Telescopic cylinder is extended using hydraulic pressure, but is retracted using external forces (i.e. gravity or mechanical load) once the pressure is removed. Single Acting cylinders offer a more compact design than a Double Acting design. RAM's standard design includes specially prepared chrome tubing, high quality seals and high strength internal components that can be easily serviced and replaced.

STANDARD FEATURES

| | | | |
|-------------------------|--|-------------------------|--|
| Intended Use: | Single acting extension | Gland Material: | High strength steel glands & stops (1045 Q&T) |
| Rated Pressure: | 3000 PSI | Piston Material: | Ductile iron 65-45-12 (ASTM A536) |
| Rod Material: | High tensile SAE C1026/St2.3 DOM, hard chrome plated | Ports: | SAE standard; NPTF also available |
| Barrel Material: | High tensile SAE C1026/St52.3 cold drawn tube precision honed for extended seal life | Port Plugs: | High quality steel |
| | | Internal Seals: | North American |
| | | Paint Finish: | 2 part urethane black (or custom colors) |
| | | Testing: | 100% full cycle tested |



**STANDARD SINGLE ACTING
TELESCOPIC CYLINDERS**

| 2 Stage Model | Bore (inches) | Rod Diameter (inches) | Maximum Load (lbf) | Closed Length (Less End Mounts) (inches) | A (inches) | B (inches) | C (inches) | D (inches) | Extended Port |
|-----------------|------------------|--------------------------|--------------------------|--|---------------|---------------|---------------|---------------|------------------|
| CT-3.50-XX-3.00 | 3.50/2.50 | 3.00/2.00 | 14,700 | (STROKE/2) + 12.00 | 4.00 | 4.25 | 1.88 | 2.00 | #8 ORB |
| CT-4.50-XX-4.00 | 4.50/3.50 | 4.00/3.00 | 28,800 | (STROKE/2) + 12.38 | 5.00 | 4.25 | 1.88 | 3.00 | #10 ORB |
| CT-5.50-XX-5.00 | 5.50/4.50 | 5.00/4.00 | 47,700 | (STROKE/2) + 13.00 | 6.00 | 4.25 | 1.88 | 4.00 | #12 ORB |
| CT-6.75-XX-6.25 | 6.75/5.50 | 6.25/5.00 | 71,200 | (STROKE/2) + 13.75 | 7.50 | 4.25 | 1.88 | 5.00 | #16 ORB |
| CT-8.25-XX-7.50 | 8.25/6.75 | 7.50/6.25 | 107,300 | (STROKE/2) + 13.88 | 9.00 | 4.25 | 1.88 | 6.25 | #20 ORB |
| CT-9.75-XX-9.00 | 9.75/8.25 | 9.00/7.50 | 160,300 | (STROKE/2) + 14.88 | 10.75 | 4.25 | 1.88 | 7.50 | #20 ORB |

| 3 Stage Model | Bore (inches) | Rod Diameter (inches) | Maximum Load (lbf) | Closed Length (Less End Mounts) (inches) | A (inches) | B (inches) | C (inches) | D (inches) | Extended Port |
|-----------------|------------------|--------------------------|--------------------------|--|---------------|---------------|---------------|---------------|------------------|
| CT-4.50-XX-4.00 | 4.50/3.50/2.50 | 4.00/3.00/2.00 | 14,700 | (STROKE/3) + 13.63 | 5.00 | 6.63 | 1.88 | 2.00 | #8 ORB |
| CT-5.50-XX-5.00 | 5.50/4.50/3.50 | 5.00/4.00/3.00 | 28,800 | (STROKE/3) + 14.13 | 6.00 | 6.63 | 1.88 | 3.00 | #10 ORB |
| CT-6.75-XX-6.25 | 6.75/5.50/4.50 | 6.25/5.00/4.00 | 47,700 | (STROKE/3) + 14.25 | 7.50 | 6.63 | 1.88 | 4.00 | #12 ORB |
| CT-8.25-XX-7.50 | 8.25/6.75/5.50 | 7.50/6.25/5.00 | 71,200 | (STROKE/3) + 15.75 | 9.00 | 6.63 | 1.88 | 5.00 | #16 ORB |
| CT-9.75-XX-9.00 | 9.75/8.25/6.75 | 9.00/7.50/6.25 | 107,300 | (STROKE/3) + 15.50 | 10.75 | 6.63 | 1.88 | 6.25 | #20 ORB |

| 4 Stage Model | Bore (inches) | Rod Diameter (inches) | Maximum Load (lbf) | Closed Length (Less End Mounts) (inches) | A (inches) | B (inches) | C (inches) | D (inches) | Extended Port |
|-----------------|---------------------|--------------------------|--------------------------|--|---------------|---------------|---------------|---------------|------------------|
| CT-5.50-XX-5.00 | 5.50/4.50/3.50/2.50 | 5.00/4.00/3.00/2.00 | 14,700 | (STROKE/4) + 14.50 | 6.00 | 9.00 | 1.88 | 2.00 | #8 ORB |
| CT-6.75-XX-6.25 | 6.75/5.50/4.50/3.50 | 6.25/5.00/4.00/3.00 | 28,800 | (STROKE/4) + 15.25 | 7.50 | 9.00 | 1.88 | 3.00 | #10 ORB |
| CT-8.25-XX-7.50 | 8.25/6.75/5.50/4.50 | 7.50/6.25/5.00/4.00 | 47,700 | (STROKE/4) + 15.25 | 9.00 | 9.00 | 1.88 | 4.00 | #12 ORB |
| CT-9.75-XX-9.00 | 9.75/8.25/6.75/5.50 | 9.00/7.50/6.25/5.00 | 71,200 | (STROKE/4) + 16.50 | 10.75 | 9.00 | 1.88 | 5.00 | #16 ORB |

| 5 Stage Model | Bore (inches) | Rod Diameter (inches) | Maximum Load (lbf) | Closed Length (Less End Mounts) (inches) | A (inches) | B (inches) | C (inches) | D (inches) | Extended Port |
|-----------------|--------------------------|--------------------------|--------------------------|--|---------------|---------------|---------------|---------------|------------------|
| CT-6.75-XX-6.25 | 6.75/5.50/4.50/3.50/2.50 | 6.25/5.00/4.00/3.00/2.00 | 14,700 | (STROKE/5) + 16.50 | 7.50 | 11.38 | 1.88 | 2.00 | #8 ORB |
| CT-8.25-XX-7.50 | 8.25/6.75/5.50/4.50/3.50 | 7.50/6.25/5.00/4.00/3.00 | 28,800 | (STROKE/5) + 17.75 | 9.00 | 11.38 | 1.88 | 3.00 | #10 ORB |
| CT-9.75-XX-9.00 | 9.75/8.25/6.75/5.50/4.50 | 9.00/7.50/6.25/5.00/4.00 | 47,700 | (STROKE/5) + 17.63 | 10.75 | 11.38 | 1.88 | 4.00 | #12 ORB |

* Actual load may be limited based on final configuration.

All Specifications are subject to change without notice.

**STANDARD SINGLE ACTING
TELESCOPIC CYLINDERS**



DOUBLE ACTING TELESCOPIC

Double Acting Telescopic cylinders are characterized as cylinders that are both extended and retracted with hydraulic pressure. A Double Acting Telescopic cylinder is a more complex design and involves additional sealing within the internal body of the cylinder to seal off the different stages. Passageways are machined into the internal components of the cylinder to allow for proper staging. These cylinder are usually specified when there is no external force to retract the cylinder. RAM's standard Double Acting Telescopic design includes specially prepared chrome tubing, high quality seals and high strength internal components that can be easily serviced and replaced when required.

STANDARD FEATURES

Intended Use: Double acting extension & retraction

Rated Pressure: 3000 PSI

Rod Material: High tensile SAE C1026/St2.3 DOM, hard chrome plated

Barrel Material: High tensile SAE C1026/St52.3 cold drawn tube precision honed for extended seal life

Gland Material: High strength steel glands & stops (1045 Q&T)

Piston Material: Ductile iron 65-45-12 (ASTM A536)

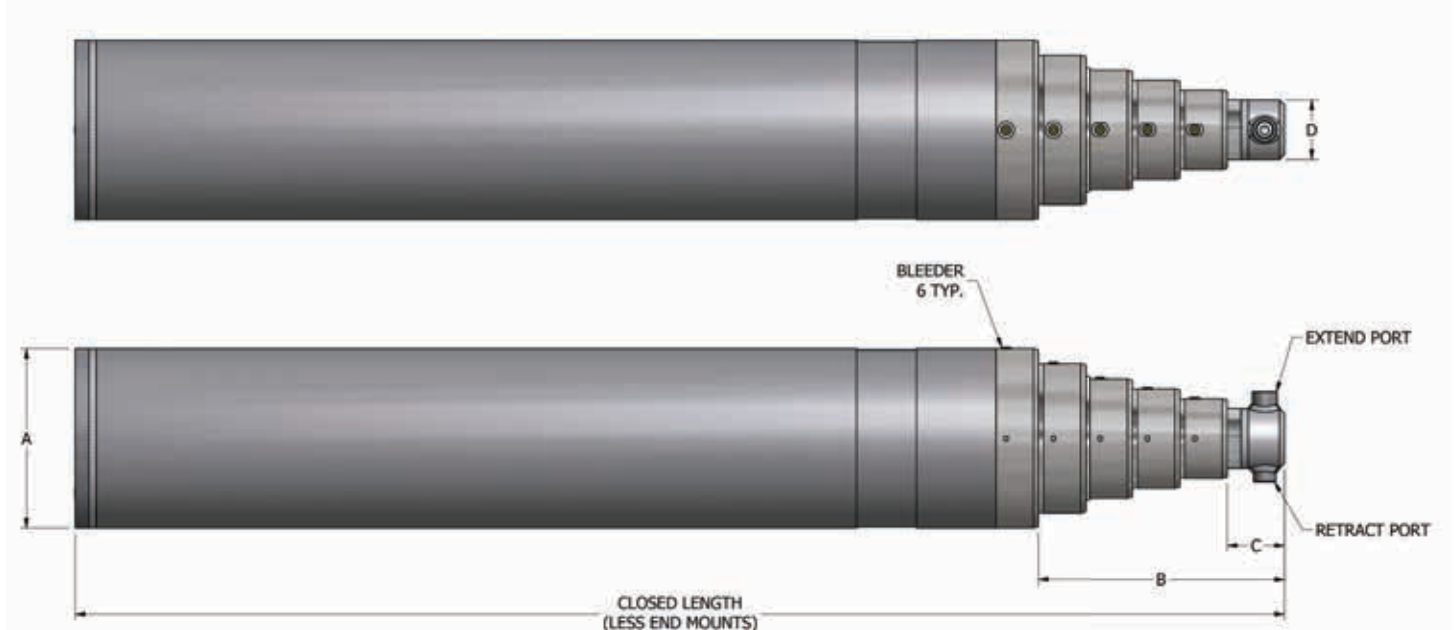
Ports: SAE ports; NPTF also available

Shipping Plugs: High quality steel

Internal Seals: North American made

Paint Finish: 2 part urethane black (or custom colors)

Testing: 100% full cycle tested



**STANDARD DOUBLE ACTING
TELESCOPIC CYLINDERS**

| 2 Stage Model | Bore (inches) | Rod Diameter (inches) | Maximum Load (lb) | Closed Length (Less End Mounts) (inches) | A (inches) | B (inches) | C (inches) | D (inches) | Extended Port | Retracted Port |
|-----------------|------------------|--------------------------|----------------------|--|---------------|---------------|---------------|---------------|---------------|----------------|
| CT-3.50-XX-3.00 | 3.50/2.50 | 3.00/2.00 | 14,700 | (STROKE/2) + 13.00 | 4.00 | 5.25 | 2.88 | 2.00 | #8 ORB | #6 ORB |
| CT-4.50-XX-4.00 | 4.50/3.50 | 4.00/3.00 | 28,800 | (STROKE/2) + 13.38 | 5.00 | 5.25 | 2.88 | 3.00 | #10 ORB | #8 ORB |
| CT-5.50-XX-5.00 | 5.50/4.50 | 5.00/4.00 | 47,700 | (STROKE/2) + 14.25 | 6.00 | 5.50 | 3.13 | 4.00 | #12 ORB | #10 ORB |
| CT-6.75-XX-6.25 | 6.75/5.50 | 6.25/5.00 | 71,200 | (STROKE/2) + 15.50 | 7.50 | 6.00 | 3.63 | 5.00 | #16 ORB | #12 ORB |
| CT-8.25-XX-7.50 | 8.25/6.75 | 7.50/6.25 | 107,300 | (STROKE/2) + 16.50 | 9.00 | 6.63 | 4.25 | 6.25 | #20 ORB | #16 ORB |
| CT-9.75-XX-9.00 | 9.75/8.25 | 9.00/7.50 | 160,300 | (STROKE/2) + 17.25 | 10.75 | 6.63 | 4.25 | 7.50 | #20 ORB | #16 ORB |

| 3 Stage Model | Bore (inches) | Rod Diameter (inches) | Maximum Load (lb) | Closed Length (Less End Mounts) (inches) | A (inches) | B (inches) | C (inches) | D (inches) | Extended Port | Retracted Port |
|-----------------|------------------|--------------------------|----------------------|--|---------------|---------------|---------------|---------------|---------------|----------------|
| CT-4.50-XX-4.00 | 4.50/3.50/2.50 | 4.00/3.00/2.00 | 14,700 | (STROKE/3) + 15.13 | 5.00 | 7.63 | 2.88 | 2.00 | #8 ORB | #6 ORB |
| CT-5.50-XX-5.00 | 5.50/4.50/3.50 | 5.00/4.00/3.00 | 28,800 | (STROKE/3) + 15.88 | 6.00 | 7.63 | 2.88 | 3.00 | #10 ORB | #8 ORB |
| CT-6.75-XX-6.25 | 6.75/5.50/4.50 | 6.25/5.00/4.00 | 47,700 | (STROKE/3) + 16.50 | 7.50 | 7.88 | 3.13 | 4.00 | #12 ORB | #10 ORB |
| CT-8.25-XX-7.50 | 8.25/6.75/5.50 | 7.50/6.25/5.00 | 71,200 | (STROKE/3) + 17.50 | 9.00 | 8.38 | 3.63 | 5.00 | #16 ORB | #12 ORB |
| CT-9.75-XX-9.00 | 9.75/8.25/6.75 | 9.00/7.50/6.25 | 107,300 | (STROKE/3) + 18.75 | 10.75 | 8.88 | 4.13 | 6.25 | #20 ORB | #16 ORB |

| 4 Stage Model | Bore (inches) | Rod Diameter (inches) | Maximum Load (lb) | Closed Length (Less End Mounts) (inches) | A (inches) | B (inches) | C (inches) | D (inches) | Extended Port | Retracted Port |
|-----------------|---------------------|--------------------------|----------------------|--|---------------|---------------|---------------|---------------|---------------|----------------|
| CT-5.50-XX-5.00 | 5.50/4.50/3.50/2.50 | 5.00/4.00/3.00/2.00 | 14,700 | (STROKE/4) + 17.00 | 6.00 | 10.00 | 2.88 | 2.00 | #8 ORB | #6 ORB |
| CT-6.75-XX-6.25 | 6.75/5.50/4.50/3.50 | 6.25/5.00/4.00/3.00 | 28,800 | (STROKE/4) + 17.75 | 7.50 | 10.00 | 2.88 | 3.00 | #10 ORB | #8 ORB |
| CT-8.25-XX-7.50 | 8.25/6.75/5.50/4.50 | 7.50/6.25/5.00/4.00 | 47,700 | (STROKE/4) + 18.50 | 9.00 | 10.25 | 3.13 | 4.00 | #12 ORB | #10 ORB |
| CT-9.75-XX-9.00 | 9.75/8.25/6.75/5.50 | 9.00/7.50/6.25/5.00 | 71,200 | (STROKE/4) + 19.75 | 10.75 | 10.75 | 3.63 | 5.00 | #16 ORB | #12 ORB |

| 5 Stage Model | Bore (inches) | Rod Diameter (inches) | Maximum Load (lb) | Closed Length (Less End Mounts) (inches) | A (inches) | B (inches) | C (inches) | D (inches) | Extended Port | Retracted Port |
|-----------------|--------------------------|--------------------------|----------------------|--|---------------|---------------|---------------|---------------|---------------|----------------|
| CT-6.75-XX-6.25 | 6.75/5.50/4.50/3.50/2.50 | 6.25/5.00/4.00/3.00/2.00 | 14,700 | (STROKE/5) + 19.50 | 7.50 | 12.38 | 2.88 | 2.00 | #8 ORB | #6 ORB |
| CT-8.25-XX-7.50 | 8.25/6.75/5.50/4.50/3.50 | 7.50/6.25/5.00/4.00/3.00 | 28,800 | (STROKE/5) + 20.75 | 9.00 | 12.38 | 2.88 | 3.00 | #10 ORB | #8 ORB |
| CT-9.75-XX-9.00 | 9.75/8.25/6.75/5.50/4.50 | 9.00/7.50/6.25/5.00/4.00 | 47,700 | (STROKE/5) + 22.25 | 10.75 | 12.75 | 3.25 | 4.00 | #12 ORB | #10 ORB |

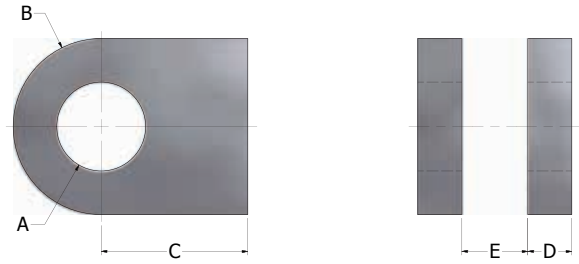
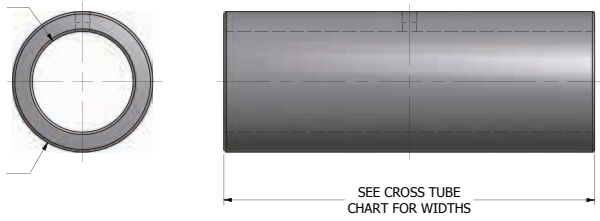
* Actual load may be limited based on final configuration.

All Specifications are subject to change without notice.

STANDARD DOUBLE ACTING TELESCOPIC CYLINDERS



STANDARD TELESCOPIC MOUNTS

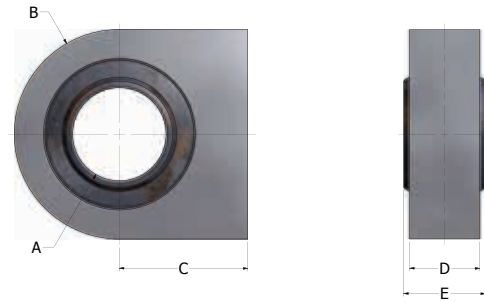
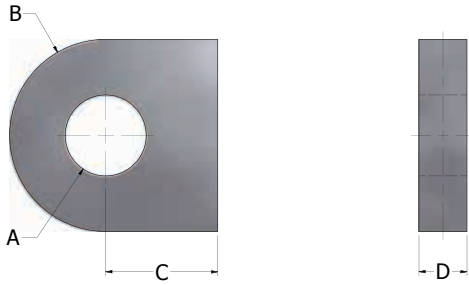


| Cross Tube | | | | |
|---------------|-------|------|----------------|---|
| Bore (inches) | A | B | Width Base End | Minimum Recommended Length |
| 3.50 | 1.015 | 1.50 | 4.25 | Equal to the smallest cylinder shaft diameter |
| 4.50 | 1.265 | 2.00 | 5.25 | |
| 5.50 | 1.515 | 2.25 | 6.25 | |
| 6.75 | 2.015 | 2.75 | 7.75 | |
| 8.25 | 2.515 | 3.50 | 9.25 | |
| 9.75 | 3.031 | 4.00 | 11.00 | |

Measurements for A and B are in inches.

| Clevis | | | | | |
|--------|-------|------|------|------|------|
| Bore | A | B | C | D | E |
| 3.50 | 1.015 | 1.25 | 2.38 | 0.50 | 1.13 |
| 4.50 | 1.265 | 1.25 | 2.50 | 0.63 | 1.38 |
| 5.50 | 1.515 | 1.50 | 2.75 | 0.75 | 1.63 |
| 6.75 | 2.015 | 2.00 | 3.00 | 1.00 | 2.13 |
| 8.25 | 2.515 | 2.25 | 3.25 | 1.25 | 2.38 |
| 9.75 | 3.031 | 2.50 | 3.50 | 1.50 | 2.63 |

* All measurements are in inches



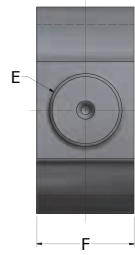
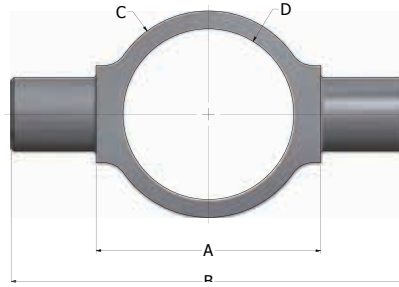
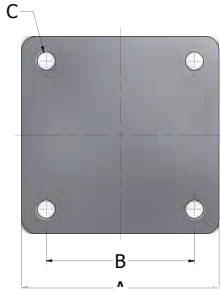
| Tang | | | | |
|------|-------|------|------|------|
| Bore | A | B | C | D |
| 3.50 | 1.015 | 1.00 | 1.75 | 1.00 |
| 4.50 | 1.265 | 1.25 | 2.00 | 1.50 |
| 5.50 | 1.515 | 1.50 | 2.25 | 1.75 |
| 6.75 | 2.015 | 2.00 | 2.75 | 2.00 |
| 8.25 | 2.515 | 2.25 | 3.00 | 2.50 |
| 9.75 | 3.031 | 2.50 | 3.25 | 3.00 |

* All measurements are in inches.

| Tang with Bearing | | | | | |
|-------------------|------|-------|------|------|------|
| Bore | A | B | C | D | E |
| 3.50 | 1.00 | 1.375 | 2.00 | 1.38 | 0.88 |
| 4.50 | 1.25 | 1.875 | 2.50 | 1.88 | 1.09 |
| 5.50 | 1.50 | 2.375 | 3.00 | 2.38 | 1.31 |
| 6.75 | 2.00 | 2.875 | 3.50 | 2.88 | 1.75 |
| 8.25 | 2.50 | 3.313 | 4.25 | 3.31 | 2.19 |
| 9.75 | 3.00 | 3.750 | 4.50 | 3.75 | 2.63 |

* All measurements are in inches





| Flange | | | | |
|--------|-------|-------|------|------|
| Bore | A | B | C | D |
| 3.50 | 5.50 | 4.00 | 0.53 | 0.75 |
| 4.50 | 7.00 | 5.25 | 0.66 | 1.00 |
| 5.50 | 8.00 | 6.00 | 0.78 | 1.25 |
| 6.75 | 9.50 | 7.25 | 1.03 | 1.50 |
| 8.25 | 11.25 | 8.50 | 1.28 | 1.75 |
| 9.75 | 13.50 | 10.00 | 1.53 | 2.00 |

* All measurements are in inches

| Trunnion | | | | | | |
|----------|-------|-------|-------|-------|------|------|
| Bore | A | B | C | D | E | F |
| 3.50 | 5.00 | 8.00 | 4.75 | 4.00 | 1.75 | 2.00 |
| 4.50 | 6.00 | 10.00 | 5.75 | 5.00 | 2.25 | 2.50 |
| 5.50 | 7.00 | 11.00 | 6.75 | 6.00 | 2.50 | 3.00 |
| 6.75 | 9.00 | 14.00 | 8.50 | 7.50 | 3.00 | 3.50 |
| 8.25 | 10.50 | 15.50 | 10.00 | 9.00 | 3.00 | 3.50 |
| 9.75 | 12.50 | 18.50 | 12.00 | 10.75 | 3.50 | 4.00 |

* All measurements are in inches

CUSTOM TELESCOPIC MOUNTS

In addition to standard mounting options, RAM will design and/or manufacture custom mounts in a wide array of styles and materials.

We can also offer unique mounting locations, mid barrel or on each stage, for additional support.

Contact the RAM engineering team today and let them help you select the best option for your application.





RAM INDUSTRIES INC.

PO Box 5007 33 York Rd E Yorkton, SK S3N3Z4 Canada

T: 1-877-799-1005 • F: (306) 786-2651

www.ramindustries.com • sales@ramindustries.com



www.ramindustries.com

Hydraulic Cylinder Design & Manufacturing • Precision Custom Machining