



TYROD CYLINDERS



EXPERIENCE • EXPERTISE • QUALITY • SERVICE

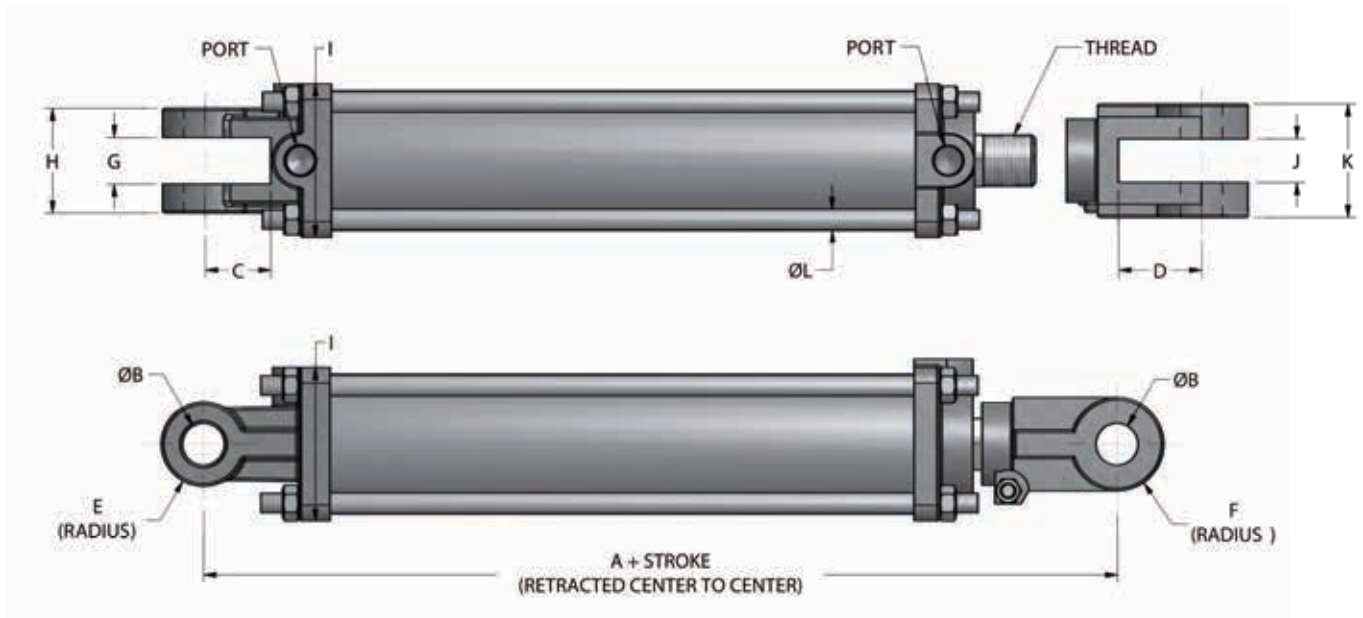


TyRod[®] 2500 PSI

STANDARD FEATURES

Intended Use: Double acting applications
Rated Pressure: 2500 PSI
Rod Material: High Tensile SAE C1045, ground and polished hard chrome plated
Barrel Material: High tensile SAE C1026/St52.3 cold drawn tube precision honed for extended seal life
Gland Material: Ductile iron 65-45-12 (ASTM A536)
Piston Material: Ductile iron 65-45-12 (ASTM A536)
Piston Locknut: High tensile grade C

Tie Rod: High tensile ASTM 5140 rolled threads
Pin & Pin Clip: High tensile zinc-plated steel
End Mounts: Female clevis, ductile iron 65-45-12 (ASTM A536) with pins & clips included
Clevis Clamp: Grade 8 bolt and nut
Ports: NPTF
Port Plugs: High quality steel
Internal Seals: North American
Paint Finish: 2 part urethane black (or custom colors)
Testing: 100% full cycle tested



Bore (inches)	A	B	C	D	E	F	G	H	I	J	K	L	Ports	Threads
2.00	10.25*	1.00	2.00	2.13	1.00	1.00	1.17	2.50	2.76	1.17	2.50	0.39	SAE-8	1 1/8" - 12 UNF
2.50	10.25*	1.00	2.00	2.13	1.00	1.00	1.17	2.50	3.30	1.17	2.50	0.39	SAE-8	1 1/8" - 12 UNF
3.00	10.25*	1.00	2.00	2.13	1.00	1.13	1.17	2.50	3.80	1.17	2.72	0.47	SAE-8	1 1/4" - 12 UNF
3.50	10.25*	1.00	2.00	2.13	1.13	1.13	1.17	2.56	4.25	1.17	2.72	0.55	SAE-8	1 1/4" - 12 UNF
4.00	10.25*	1.00	2.00	2.13	1.25	1.13	1.17	2.76	4.92	1.17	2.72	0.63	SAE-8	1 1/4" - 12 UNF

*For the standard ASAE (8" stroke) cylinders this dimension is 12.25"

Measurements for A, B, C, D, E, F, G, H, I, J, K, L are in inches.

All Specifications are subject to change without notice.

Bore (inches)	RAM Part Number	Stroke (inches)	Rod Diameter (inches)	Pin Center to Center (inches)		Ports	Pin Diameter Nominal (inches)	Maximum Rated Pressure & Column Load on Full Extension		Shipping Weight (lbs)
				Retracted	Extended			Pressure (PSI)	Load (lbf)	
2.00	R4507001	6	1.125	16.25	22.25	3/8 NPTF	1.000	2500	7855	18
	R4507003*	8	1.125	20.25	28.25					19
	R4507004	10	1.125	20.25	30.25					20
	R4507005	12	1.125	22.25	34.25					21
	R4507007	16	1.125	26.25	42.25					23
	R4507010	24	1.125	34.25	58.25					27
2.50	R4507016*	8	1.125	20.25	28.25	3/8 NPTF	1.000	2500	12270	22
	R4507017	10	1.125	20.25	30.25					22
	R4507018	12	1.125	22.25	34.25					24
	R4507020	16	1.125	26.25	42.25					27
	R4507021	18	1.125	28.25	46.25					28
	R4507023	24	1.125	34.25	58.25					33
3.00	R4507029*	8	1.250	20.25	28.25	1/2 NPTF	1.000	2500	17670	29
	R4507030	10	1.250	20.25	30.25					28
	R4507031	12	1.250	22.25	34.25					29
	R4507033	16	1.250	26.25	42.25					37
	R4507034	18	1.250	28.25	46.25					35
	R4507036	24	1.500	34.25	58.25					46
3.50	R4507042*	8	1.250	20.25	28.25	1/2 NPTF	1.000	2500	24055	31
	R4507043	10	1.250	20.25	30.25					30
	R4507044	12	1.250	22.25	34.25					33
	R4507046	16	1.250	26.25	42.25					36
	R4507047	18	1.250	28.25	46.25					40
	R4507049	24	1.500	34.25	58.25					51
4.00	R4507055*	8	1.500	20.25	28.25	1/2 NPTF	1.000	2500	31415	39
	R4507056	10	1.500	20.25	30.25					40
	R4507057	12	1.500	22.25	34.25					43
	R4507059	16	1.500	26.25	42.25					48
	R4507060	18	1.500	28.25	46.25					49
	R4507062	24	2.000	34.25	58.25					65

*Conforms to ASAE (American Society of Agricultural Engineers) specifications.

All Specifications are subject to change without notice.
All weights are approximate shipping weights.

RAM TyRod™ Cylinder Seal Kits			
Bore (inches)	RAM Part Number	Rod Diameter (inches)	Shipping Weight (lbs)
2.00	R3607007	1.125	0.04
2.50	R3607013	1.125	0.05
3.00	R3607026	1.250	0.06
	R3607033	1.500	0.07
3.50	R3607039	1.250	0.07
	R3607046	1.500	0.07
4.00	R3607052	1.500	0.07
	R3607061	2.000	0.08

All Specifications are subject to change without notice.
All weights are approximate shipping weights.

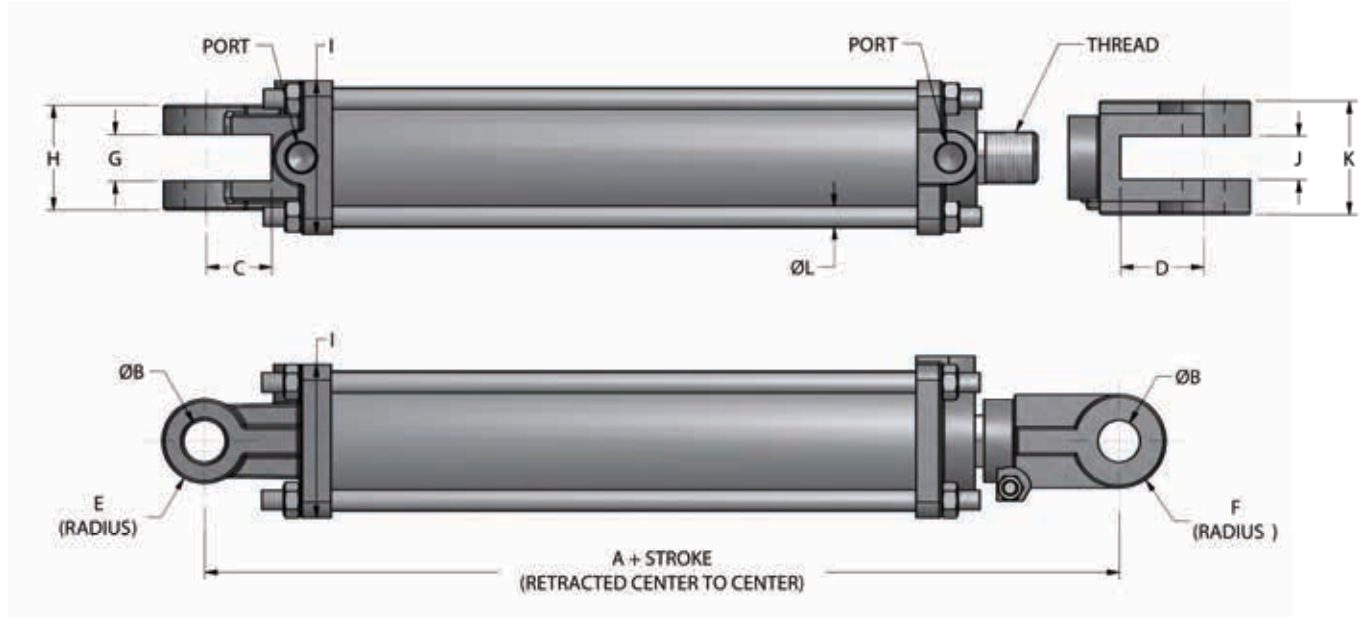
RAM TyRod™ Cylinder Components			
RAM Part Number	Item	Size	Shipping Weight (lbs)
R7600456	Shaft Clevis	Fits 1 1/8" Shaft	3.30
R7600455	Shaft Clevis	Fits 1 1/4" Shaft	3.30
R7600455	Shaft Clevis	Fits 1 1/2" Shaft	3.30
R7600455	Shaft Clevis	Fits 2" Shaft	3.30
R3006631	Pin	1" x 2 7/8"	0.80
R3006300	Clip	Hairpin Clip	0.02

All Specifications are subject to change without notice.
All weights are approximate shipping weights.

TyRod[®] 3000 PSI

STANDARD FEATURES

- | | | | |
|-------------------------|--|----------------------------|---|
| Intended Use: | Double acting applications | Tie Rod: | High tensile ASTM 5140 rolled threads |
| Rated Pressure: | 3000 PSI | Pin & Pin Clip: | High tensile zinc-plated steel |
| Rod Material: | High tensile SAE C1045, ground and polished hard chrome plated | End Mounts: | Female clevis, ductile Iron 65-45-12 (ASTM A536) with pins & clips included |
| Barrel Material: | High tensile SAE C1026/St52.3 cold drawn tube precision honed for extended seal life | Clevis Clamp: | Grade 8 bolt and nut |
| Gland Material: | Ductile iron 65-45-12 (ASTM A536) | Ports: | SAE |
| Piston Material: | Ductile iron 65-45-12 (ASTM A536) | Port Plugs: | High quality steel |
| Piston Locknut: | High tensile grade C | Internal Seals: | North American |
| | | Paint Finish: | 2 part urethane black (or custom colors) |
| | | Testing: | 100% full cycle tested |



Bore (inches)	A	B	C	D	E	F	G	H	I	J	K	L	Ports	Threads
2.00	10.25*	1.00	2.00	2.13	1.00	1.00	1.13	2.50	2.76	1.17	2.50	0.39	3/8 NPTF	1 1/8" - 12 UNF
2.50	10.25*	1.00	2.00	2.13	1.00	1.00	1.13	2.50	3.30	1.17	2.50	0.39	3/8 NPTF	1 1/8" - 12 UNF
3.00	10.25*	1.00	2.00	2.13	1.00	1.13	1.13	2.50	3.80	1.17	2.72	0.47	1/2 NPTF	1 1/4" - 12 UNF
3.50	10.25*	1.00	2.00	2.13	1.13	1.13	1.17	2.50	4.25	1.17	2.72	0.55	1/2 NPTF	1 1/4" - 12 UNF
4.00	10.25*	1.00	2.00	2.13	1.13	1.13	1.17	2.63	4.92	1.17	2.72	0.63	1/2 NPTF	1 1/4" - 12 UNF

*For the standard ASAE (8" stroke) cylinders this dimension is 12.25"

Measurements for A, B, C, D, E, F, G, H, I, J, K, L are in inches.

All Specifications are subject to change without notice.



3000 PSI
TyRod[®] CYLINDERS

Bore (inches)	RAM Part Number	Stroke (inches)	Rod Diameter (inches)	Pin Center to Center (inches)		Ports	Pin Diameter Nominal (inches)	Maximum Rated Pressure & Column Load on Full Extension		Shipping Weight (lbs)
				Retracted	Extended			Pressure (PSI)	Load (lbf)	
2.00	R4507471*	8	1.125	20.25	28.25	SAE-8	1.000	3000	9425	19
2.50	R4507475*	8	1.125	20.25	28.25	SAE-8	1.000	3000	14725	22
3.00	R4507479*	8	1.250	20.25	28.25	SAE-8	1.000	3000	21205	29
	R4507481	16	1.500	26.25	42.25					37
3.50	R4507483*	8	1.500	20.25	28.25	SAE-8	1.000	3000	28860	31
	R4507485	16	1.500	26.25	42.25					36
4.00	R4507487*	8	1.500	20.25	28.25	SAE-8	1.000	3000	37695	39

*Conforms to ASAE (American Society of Agricultural Engineers) specifications.

All Specifications are subject to change without notice.
All weights are approximate shipping weights.

RAM TyRod™ Cylinder Seal Kits			
Bore (inches)	RAM Part Number	Rod Diameter (inches)	Shipping Weight (lbs)
2.00	R3607007	1.125	0.04
2.50	R3607013	1.125	0.05
3.00	R3607026	1.250	0.06
	R3607033	1.500	0.07
3.50	R3607039	1.250	0.07
	R3607046	1.500	0.07
4.00	R3607052	1.500	0.07
	R3607061	2.000	0.08

All Specifications are subject to change without notice.
All weights are approximate shipping weights.

RAM TyRod™ Cylinder Components			
RAM Part Number	Item	Size	Shipping Weight (lbs)
R7600456	Shaft Clevis	Fits 1 1/8" Shaft	3.30
R7600455	Shaft Clevis	Fits 1 1/4" Shaft	3.30
R7600455	Shaft Clevis	Fits 1 1/2" Shaft	3.30
R7600455	Shaft Clevis	Fits 2" Shaft	3.30
R3006631	Pin	1" x 2 7/8"	0.80
R3006300	Clip	Hairpin Clip	0.02

All Specifications are subject to change without notice.
All weights are approximate shipping weights.



RAM INDUSTRIES INC.

PO Box 5007 33 York Rd E Yorkton, SK S3N3Z4 Canada
T: 1-877-799-1005 • F: (306) 786-2651
www.ramindustries.com • sales@ramindustries.com



www.ramindustries.com

Hydraulic Cylinder Design & Manufacturing • Precision Custom Machining