



# HEAVY DUTY YORK LINE CYLINDERS



EXPERIENCE • EXPERTISE • QUALITY • SERVICE



# YORK CROSS TUBE

The YORK Cross Tube is a high quality welded cylinder utilizing a strong forged steel cross tube base and welded rod cross tube with grease zerks. Designed for performance, the YORK cylinder has a heavy duty piston and piston stem. The internally threaded gland reduces the cross section and is easily removed for maintenance. YORK Cross Tube cylinders are perfect for construction, agricultural and general use applications.

## STANDARD FEATURES

- Intended Use:** Double acting applications
- Rated Pressure:** 3000 PSI
- Rod Material:** High tensile SAE C1045, ground and polished hard chrome plated
- Barrel Material:** High tensile SAE C1026/St52.3 cold drawn tube precision honed for extended seal life
- Gland Material:** Ductile iron 65-45-12 (ASTM A536)
- Piston Material:** Ductile iron 65-45-12 (ASTM A536)
- Piston Locknut:** High tensile grade C
- End Mounts:** Cross tube
- Ports:** SAE
- Port Plugs:** High quality steel
- Internal Seals:** North American
- Paint Finish:** 2 part urethane black (or custom colors)
- Testing:** 100% full cycle tested

Bore (inches)	RAM Part Number	Stroke (inches)	Rod Diameter (inches)	Pin Center to Center (inches)		Ports	Pin Diameter Nominal (inches)	Maximum Rated Pressure & Column Load on Full Extension		Shipping Weight (lbs)								
				Retracted	Extended			Pressure (PSI)	Load (lb)									
1.50	R4507500	4	1.000	12	16	SAE-6	0.750	3000	5300	6								
	R4507501	6		14	20					7								
	R4507502	8		16	24					8								
	R4507503	10		18	28					9								
	R4507504	16		24	40					12								
	R4507505	20		28	48					14								
	R4507506	24		32	56					16								
2.00	R4507507	4	1.250	12	16	SAE-6	1.000	3000	9425	10								
	R4507508	6		14	20					12								
	R4507509	8		16	24					13								
	R4507510	10		18	28					14								
	R4507511	12		20	32					16								
	R4507512	14		22	36					17								
	R4507513	16		24	40					19								
	R4507514	18		26	44					20								
	R4507515	20		28	48					21								
	R4507516	24		32	56					24								
	R4507517	30		38	68					29								
	R4507518	32		40	72					30								
	R4507519	36		44	80					33								
	R4507520	40		48	88					36								
	R4507521	48		56	104					42								
2.50	R4507522	4	1.500	12	16	SAE-6	1.000	3000	14725	14								
	R4507523	6		14	20					16								
	R4507524	8		16	24					18								
	R4507525	10		18	28					19								
	R4507526	12		20	32					21								
	R4507527	14		22	36					23								
	R4507528	16		24	40					25								
	R4507529	18		26	44					27								
	R4507530	20		28	48					29								
	R4507531	24		32	56					33								
	R4507532	30		38	68					39								
	R4507533	32		40	72					40								
	R4507534	36		44	80					44								
	R4507535	40		48	88					48								
	R4507536	48		56	104					56								
																2840	13980	39
																2525	12395	40
										2030	9980	44						
										1670	8210	48						
										1190	5835	56						

All Specifications are subject to change without notice. All weights are approximate shipping weights.

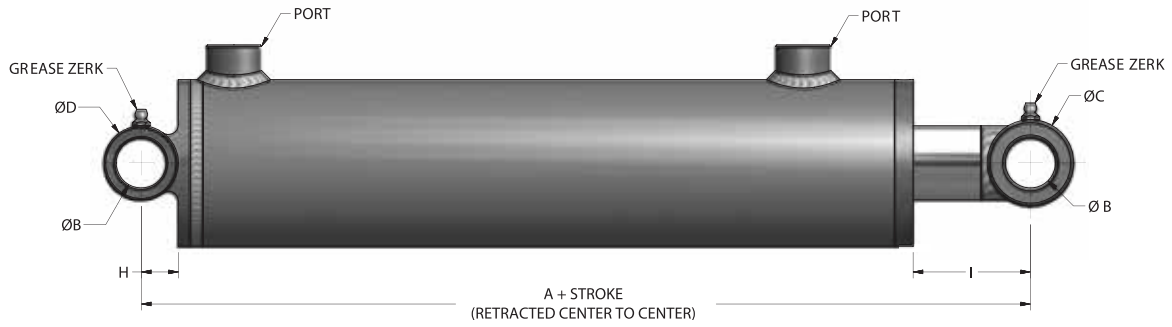
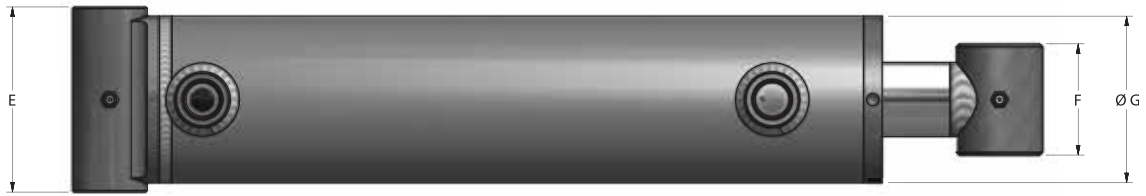


**YORK CROSS TUBE  
CYLINDERS**

Bore (inches)	RAM Part Number	Stroke (inches)	Rod Diameter (inches)	Pin Center to Center (inches)		Ports	Pin Diameter Nominal (inches)	Maximum Rated Pressure & Column Load on Full Extension		Shipping Weight (lbs)
				Retracted	Extended			Pressure (PSI)	Load (lbf)	
3.00	R4507537	4	1.500	12	16	SAE-8	1.000	3000	21205	17
	R4507538	6		14	20					19
	R4507539	8		16	24					21
	R4507540	10		18	28					23
	R4507541	12		20	32					26
	R4507542	14		22	36					28
	R4507543	16		24	40					30
	R4507544	18		26	44					32
	R4507545	20		28	48					34
	R4507546	24		32	56					38
	R4507547	30		38	68			44		
	R4507548	32		40	72			46		
	R4507549	36		44	80			50		
	R4507550	40		48	88			55		
R4507551	48	56	104	63						
3.50	R4507552	4	1.750	12	16	SAE-8	1.000	3000	28860	24
	R4507553	6		14	20					26
	R4507554	8		16	24					29
	R4507555	10		18	28					31
	R4507556	12		20	32					34
	R4507557	14		22	36					37
	R4507558	16		24	40					39
	R4507559	18		26	44					42
	R4507560	20		28	48					44
	R4507561	24		32	56					50
	R4507562	30		38	68			57		
	R4507563	32		40	72			60		
	R4507564	36		44	80			65		
	R4507565	40		48	88			70		
R4507566	48	56	104	80						
4.00	R4507567	4	2.000	12	16	SAE-8	1.250	3000	37700	32
	R4507568	6		14	20					35
	R4507569	8		16	24					39
	R4507570	10		18	28					43
	R4507571	12		20	32					47
	R4507572	14		22	36					50
	R4507573	16		24	40					54
	R4507574	18		26	44					58
	R4507575	20		28	48					62
	R4507576	24		32	56					69
	R4507577	30		38	68			80		
	R4507578	32		40	72			84		
	R4507579	36		44	80			91		
	R4507580	40		48	88			98		
R4507581	48	56	104	113						

\*Conforms to ASAE (American Society of Agricultural Engineers) specifications.

All Specifications are subject to change without notice. All weights are approximate shipping weights.



## CROSS TUBE SERIES DIMENSIONS

Bore (inches)	A	B	C	D	E	F	G	H	I	Ports
1.50	8.00	0.765	1.25	1.25	2.25	2.00	1.88	0.63	4.06	SAE-6
2.00	8.00	1.015	1.75	1.50	2.75	2.25	2.38	0.75	2.81	SAE-6
2.50	8.00	1.015	1.75	1.50	3.25	2.25	2.88	0.75	2.56	SAE-6
3.00	8.00	1.015	1.75	1.50	3.75	2.25	3.38	0.75	2.44	SAE-8
3.50	8.00	1.015	1.75	2.00	4.25	2.25	3.88	1.00	2.13	SAE-8
4.00	8.00	1.265	2.00	2.25	4.75	2.75	4.50	1.13	1.81	SAE-8

Measurements for A, B, C, D, E, F, G, H, I are in inches.

All Specifications are subject to change without notice.

RAM York Cylinder Seal Kits			
Bore (inches)	RAM Part Number	Rod Diameter (inches)	Shipping Weight (lbs)
1.500	R3607500	1.000	0.03
2.000	R3607507	1.250	0.04
2.500	R3607522	1.500	0.06
3.000	R3607537	1.500	0.07
3.500	R3607552	1.750	0.08
4.000	R3607567	2.000	0.08

All Specifications are subject to change without notice.  
All weights are approximate shipping weights.



**YORK CROSS TUBE  
CYLINDERS**

# YORK CLEVIS

The YORK Clevis is a high quality welded cylinder utilizing a strong forged steel base. The rod clevis are threaded on with a clamping locking bolt that prevents thread damage. Designed for performance, the YORK Clevis has a heavy duty piston and piston stem. The internally threaded gland reduces the cross section and is easily removed for maintenance. YORK Clevis cylinders are perfect for construction, agricultural and general use applications.

## STANDARD FEATURES

<b>Intended Use:</b>	Double acting applications	<b>Piston Locknut:</b>	High tensile grade C
<b>Rated Pressure:</b>	3000 PSI	<b>End Mounts:</b>	Female clevis
<b>Rod Material:</b>	High tensile SAE C1045, ground and polished hard chrome plated	<b>Clevis Clamp:</b>	Grade 8 bolt and nut
<b>Barrel Material:</b>	High tensile SAE C1026/St52.3 cold drawn tube precision honed for extended seal life	<b>Ports:</b>	SAE
<b>Gland Material:</b>	Ductile iron 65-45-12 (ASTM A536)	<b>Port Plugs:</b>	High quality steel
<b>Piston Material:</b>	Ductile iron 65-45-12 (ASTM A536)	<b>Internal Seals:</b>	North American
		<b>Paint Finish:</b>	2 part urethane black (or custom colors)
		<b>Testing:</b>	100% full cycle tested

Bore (inches)	RAM Part Number	Stroke (inches)	Rod Diameter (inches)	Pin Center to Center (inches)		Ports	Pin Diameter Nominal (inches)	Maximum Rated Pressure & Column Load on Full Extension		Shipping Weight (lbs)
				Retracted	Extended			Pressure (PSI)	Load (lbf)	
2.00	R4507600	4	1.250	14.25	18.25	SAE-6	1.000	3000	9425	13
	R4507601	6		16.25	22.25					14
	R4507602*	8		20.25	28.25					16
	R4507603	10		20.25	30.25					17
	R4507604	12		22.25	34.25					18
	R4507605	14		24.25	38.25					20
	R4507606	16		26.25	42.25					21
	R4507607	18		28.25	46.25					23
	R4507608	20		30.25	50.25					24
	R4507609	24		34.25	58.25					27
	R4507610	30		40.25	70.25					31
	R4507611	32		42.25	74.25					33
	R4507612	36		46.25	82.25					35
	R4507613	40		50.25	90.25					38
R4507614	48	58.25	106.25	44						
2.50	R4507615	4	1.500	14.25	18.25	SAE-6	1.000	3000	14725	16
	R4507616	6		16.25	22.25					18
	R4507617*	8		20.25	28.25					20
	R4507618	10		20.25	30.25					21
	R4507619	12		22.25	34.25					23
	R4507620	14		24.25	38.25					26
	R4507621	16		26.25	42.25					27
	R4507622	18		28.25	46.25					29
	R4507623	20		30.25	50.25					31
	R4507624	24		34.25	58.25					35
	R4507625	30		40.25	70.25					41
	R4507626	32		42.25	74.25					42
	R4507627	36		46.25	82.25					46
	R4507628	40		50.25	90.25					50
	R4507629	48		58.25	106.25					58

\*Conforms to ASAE (American Society of Agricultural Engineers) specifications.

All Specifications are subject to change without notice. All weights are approximate shipping weights.



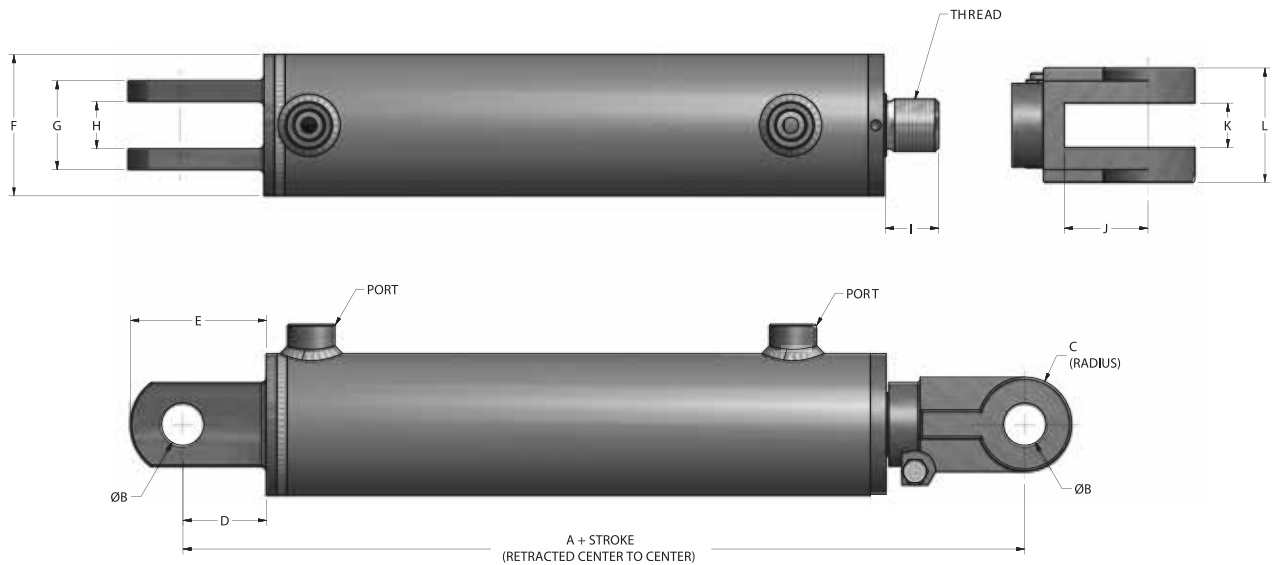
Bore (inches)	RAM Part Number	Stroke (inches)	Rod Diameter (inches)	Pin Center to Center (inches)		Ports	Pin Diameter Nominal (inches)	Maximum Rated Pressure & Column Load on Full Extension		Shipping Weight (lbs)
				Retracted	Extended			Pressure (PSI)	Load (lbf)	
3.00	R4507630	4	1.500	14.25	18.25	SAE-8	1.000	3000	21205	19
	R4507631	6		16.25	22.25					21
	R4507632*	8		20.25	28.25					24
	R4507633	10		20.25	30.25					25
	R4507634	12		22.25	34.25					27
	R4507635	14		24.25	38.25					29
	R4507636	16		26.25	42.25					31
	R4507637	18		28.25	46.25					33
	R4507638	20		30.25	50.25					35
	R4507639	24		34.25	58.25					40
	R4507640	30		40.25	70.25			46		
	R4507641	32		42.25	74.25			48		
	R4507642	36		46.25	82.25			52		
	R4507643	40		50.25	90.25			56		
R4507644	48	58.25	106.25	64						
3.50	R4507645	4	1.750	14.25	18.25	SAE-8	1.000	3000	28860	23
	R4507646	6		16.25	22.25					26
	R4507647*	8		20.25	28.25					30
	R4507648	10		20.25	30.25					31
	R4507649	12		22.25	34.25					34
	R4507650	14		24.25	38.25					36
	R4507651	16		26.25	42.25					39
	R4507652	18		28.25	46.25					41
	R4507653	20		30.25	50.25					44
	R4507654	24		34.25	58.25					49
	R4507655	30		40.25	70.25			57		
	R4507656	32		42.25	74.25			60		
	R4507657	36		46.25	82.25			65		
	R4507658	40		50.25	90.25			70		
R4507659	48	58.25	106.25	80						
4.00	R4507660	4	2.000	14.25	18.25	SAE-8	1.000	3000	37700	30
	R4507661	6		16.25	22.25					33
	R4507662*	8		20.25	28.25					39
	R4507663	10		20.25	30.25					41
	R4507664	12		22.25	34.25					45
	R4507665	14		24.25	38.25					48
	R4507666	16		26.25	42.25					52
	R4507667	18		28.25	46.25					56
	R4507668	20		30.25	50.25					59
	R4507669	24		34.25	58.25					67
	R4507670	30		40.25	70.25			78		
	R4507671	32		42.25	74.25			82		
	R4507672	36		46.25	82.25			89		
	R4507673	40		50.25	90.25			96		
R4507674	48	58.25	106.25	111						

\*Conforms to ASAE (American Society of Agricultural Engineers) specifications.

All Specifications are subject to change without notice. All weights are approximate shipping weights.



**YORK CLEVIS  
CYLINDERS**



## CLEVIS SERIES DIMENSIONS

Bore (inches)	A	B	C	D	E	F	G	H	I	J	K	L	Ports	Thread
2.00	10.25*	1.015	1.13	2.00	3.25	2.38	2.13	1.13	1.13	2.00	1.13	2.75	SAE-6	1.250 - 12UNF
2.50	10.25*	1.015	1.13	2.00	3.25	2.88	2.13	1.13	1.13	2.00	1.13	2.75	SAE-6	1.250 - 12UNF
3.00	10.25*	1.015	1.13	2.00	3.25	3.38	2.13	1.13	1.13	2.00	1.13	2.75	SAE-8	1.250 - 12UNF
3.50	10.25*	1.015	1.13	2.00	3.25	3.88	2.38	1.13	1.13	2.00	1.13	2.75	SAE-8	1.250 - 12UNF
4.00	10.25*	1.015	1.13	2.00	3.25	4.50	2.63	1.13	1.13	2.00	1.13	2.75	SAE-8	1.250 - 12UNF

\* For the standard ASAE (8" stroke) cylinders this dimension is 12.25"

Measurements for A, B, C, D, E, F, G, H, I, J, K, L are in inches.

All Specifications are subject to change without notice.

RAM York Cylinder Components			
RAM Part Number	Item	Size	Shipping Weight (lbs)
R7600455	Shaft Clevis	Fits 1 1/4" Shaft	3.30
R7600455	Shaft Clevis	Fits 1 1/2" Shaft	3.30
R7600455	Shaft Clevis	Fits 1 3/4" Shaft	3.30
R7600455	Shaft Clevis	Fits 2" Shaft	3.30
R3006631	Pin	1" x 2 7/8"	0.80
R3006632	Pin	1" x 2 1/4"	0.60
R3006300	Clip	Hairpin Clip	0.02

All Specifications are subject to change without notice.  
All weights are approximate shipping weights.

**YORK CLEVIS  
CYLINDERS**



# HEAVY DUTY YORK

**RAM** YORK Heavy Duty Cross Tube is a high quality welded cylinder designed for heavy loads and extreme duty. The rod and base ends are welded cross tubes with grease zerks. Designed to last, this cylinder has a heavy duty piston with high pressure seal and wearing ring and a over sized piston stem. The internally threaded gland reduces the cross section and features wear rings to reduce friction and increase rod support. The gland is easily removed for maintenance. YORK Heavy Duty cylinders are perfect for construction, agricultural, oil and gas sector, waste/recycling and trailer manufacturing.

## STANDARD FEATURES

<b>Intended Use:</b>	Double acting applications	<b>Piston Locknut:</b>	High tensile grade C
<b>Rated Pressure:</b>	3000 PSI	<b>End Mounts:</b>	Cross tube
<b>Rod Material:</b>	High tensile SAE C1045, ground and polished hard chrome plated	<b>Ports:</b>	SAE
<b>Barrel Material:</b>	High tensile SAE C1026/St52.3 cold drawn tube precision honed for extended seal life	<b>Port Plugs:</b>	High quality steel
<b>Gland Material:</b>	Ductile iron 65-45-12 (ASTM A536)	<b>Internal Seals:</b>	North American
<b>Piston Material:</b>	Ductile iron 65-45-12 (ASTM A536)	<b>Paint Finish:</b>	2 part urethane black (or custom colors)
		<b>Testing:</b>	100% full cycle tested



**YORK HEAVY DUTY  
CYLINDERS**



Bore (inches)	A	B	C	D	E	F	G	H	Ports
5.00	1.515	2.50	2.50	5.75	4.00	5.50	1.25	2.75	SAE-12
6.00	1.515	2.50	2.50	5.75	4.00	6.50	1.25	2.75	SAE-12
8.00	2.515	4.00	4.00	9.00	5.00	8.75	2.00	3.50	SAE-16

Measurements for A, B, C, D, E, F, G, H are in inches.

All Specifications are subject to change without notice.

Bore (inches)	RAM Part Number	Stroke (inches)	Rod Diameter (inches)	Pin Center to Center (inches)		Ports	Pin Diameter Nominal (inches)	Maximum Rated Pressure & Column Load on Full Extension		Shipping Weight (lbs)	
				Retracted	Extended			Pressure (PSI)	Load (lbf)		
5.00	R4508545	8	2.500	19	27	SAE-12	1.500	3000	58900	68	
	R4508546	12		23	35						79
	R4508547	16		27	43						89
	R4508548	20		31	51						99
	R4508549	24		35	59						109
	R4508550	30		41	71						124
	R4508551	36		47	83						140
	R4508552	48		61	109						178
	R4508553	54		68	122			197			
	R4508554	60		75	135			217			
6.00	R4508555	8	3.000	19	27	SAE-12	1.500	3000	84823	88	
	R4508556	12		23	35						101
	R4508557	16		27	43						115
	R4508558	20		31	51						128
	R4508559	24		35	59						142
	R4508560	30		41	71						163
	R4508561	36		47	83						183
	R4508562	48		61	109						234
	R4508563	54		68	122			259			
	R4508564	60		75	135			285			
8.00	R4508796	8	4.000	24	32	SAE-16	2.500	3000	150795	250	
	R4508797	12		28	40						275
	R4508798	16		32	48						300
	R4508799	20		36	56						325
	R4508800	24		40	64						350
	R4508801	30		46	76						385
	R4508802	36		52	88						425
	R4508803	48		66	114						500
	R4508804	54		73	127			540			
	R4508805	60		80	140			580			

All Specifications are subject to change without notice.  
All weights are approximate shipping weights.

**YORK HEAVY DUTY  
CYLINDERS**





## **RAM** INDUSTRIES INC.

PO Box 5007 33 York Rd E Yorkton, SK S3N3Z4 Canada  
T: 1-877-799-1005 • F: (306) 786-2651  
[www.ramindustries.com](http://www.ramindustries.com) • [sales@ramindustries.com](mailto:sales@ramindustries.com)



[www.ramindustries.com](http://www.ramindustries.com)

Hydraulic Cylinder Design & Manufacturing • Precision Custom Machining