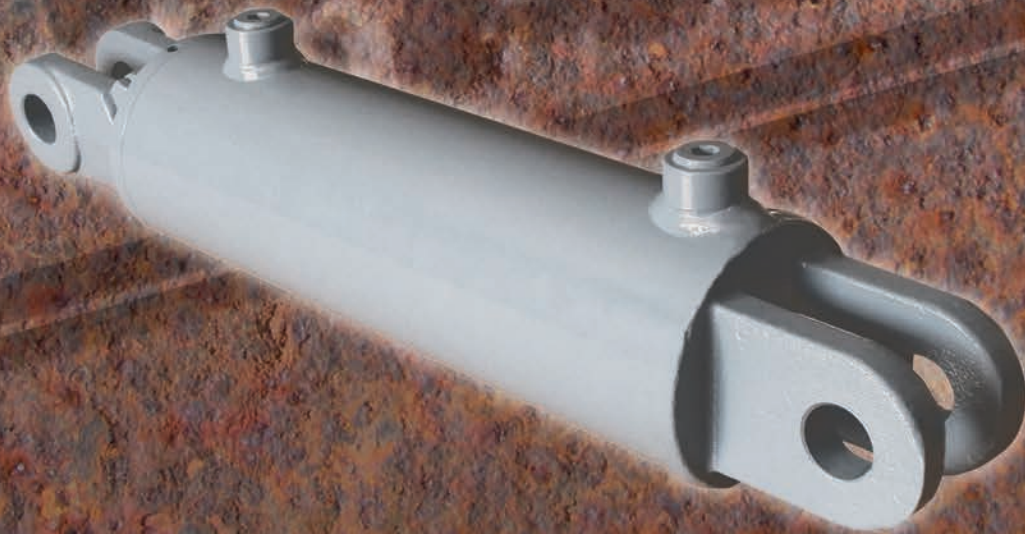




# YORK WELDED CYLINDERS



EXPERIENCE • EXPERTISE • QUALITY • SERVICE





# YORK CROSS TUBE

The YORK Cross Tube is a high quality welded cylinder utilizing a strong forged steel cross tube base and welded rod cross tube with grease zerks. Designed for performance, the YORK cylinder has a heavy duty piston and piston stem. The internally threaded gland reduces the cross section and is easily removed for maintenance. YORK Cross Tube cylinders are perfect for construction, agricultural and general use applications.

## STANDARD FEATURES

**Intended Use:** Double acting applications

**Rated Pressure:** 3000 PSI

**Rod Material:** High tensile SAE C1045, ground and polished hard chrome plated

**Barrel Material:** High tensile SAE C1026/St52.3 cold drawn tube precision honed for extended seal life

**Gland Material:** Ductile iron 65-45-12 (ASTM A536)

**Piston Material:** Ductile iron 65-45-12 (ASTM A536)

**Piston Locknut:** High tensile grade C

**End Mounts:** Cross tube

**Ports:** SAE

**Port Plugs:** High quality steel

**Internal Seals:** North American

**Paint Finish:** 2 part urethane black (or custom colors)

**Testing:** 100% full cycle tested

| Bore<br>(inches) | RAM<br>Part Number | Stroke<br>(inches) | Rod<br>Diameter<br>(inches) | Pin Center to Center<br>(inches) |          | Ports | Pin<br>Diameter<br>Nominal<br>(inches) | Maximum Rated<br>Pressure & Column<br>Load on Full Extension |               | Shipping<br>Weight<br>(lbs) |
|------------------|--------------------|--------------------|-----------------------------|----------------------------------|----------|-------|----------------------------------------|--------------------------------------------------------------|---------------|-----------------------------|
|                  |                    |                    |                             | Retracted                        | Extended |       |                                        | Pressure<br>(PSI)                                            | Load<br>(lbf) |                             |
| 1.50             | R4507500           | 4                  | 1.000                       | 12                               | 16       | SAE-6 | 0.750                                  | 3000                                                         | 5300          | 6                           |
|                  | R4507501           | 6                  |                             | 14                               | 20       |       |                                        |                                                              |               | 7                           |
|                  | R4507502           | 8                  |                             | 16                               | 24       |       |                                        |                                                              |               | 8                           |
|                  | R4507503           | 10                 |                             | 18                               | 28       |       |                                        |                                                              |               | 9                           |
|                  | R4507504           | 16                 |                             | 24                               | 40       |       |                                        |                                                              |               | 12                          |
|                  | R4507505           | 20                 |                             | 28                               | 48       |       |                                        |                                                              |               | 14                          |
|                  | R4507506           | 24                 |                             | 32                               | 56       |       |                                        |                                                              |               | 16                          |
| 2.00             | R4507507           | 4                  | 1.250                       | 12                               | 16       | SAE-6 | 1.000                                  | 3000                                                         | 9425          | 10                          |
|                  | R4507508           | 6                  |                             | 14                               | 20       |       |                                        |                                                              |               | 12                          |
|                  | R4507509           | 8                  |                             | 16                               | 24       |       |                                        |                                                              |               | 13                          |
|                  | R4507510           | 10                 |                             | 18                               | 28       |       |                                        |                                                              |               | 14                          |
|                  | R4507511           | 12                 |                             | 20                               | 32       |       |                                        |                                                              |               | 16                          |
|                  | R4507512           | 14                 |                             | 22                               | 36       |       |                                        |                                                              |               | 17                          |
|                  | R4507513           | 16                 |                             | 24                               | 40       |       |                                        |                                                              |               | 19                          |
|                  | R4507514           | 18                 |                             | 26                               | 44       |       |                                        |                                                              |               | 20                          |
|                  | R4507515           | 20                 |                             | 28                               | 48       |       |                                        |                                                              |               | 21                          |
|                  | R4507516           | 24                 |                             | 32                               | 56       |       |                                        |                                                              |               | 24                          |
|                  | R4507517           | 30                 |                             | 38                               | 68       |       |                                        |                                                              |               | 29                          |
|                  | R4507518           | 32                 |                             | 40                               | 72       |       |                                        |                                                              |               | 30                          |
|                  | R4507519           | 36                 |                             | 44                               | 80       |       |                                        |                                                              |               | 33                          |
|                  | R4507520           | 40                 |                             | 48                               | 88       |       |                                        |                                                              |               | 36                          |
|                  | R4507521           | 48                 |                             | 56                               | 104      |       |                                        |                                                              |               | 42                          |
| 2.50             | R4507522           | 4                  | 1.500                       | 12                               | 16       | SAE-6 | 1.000                                  | 3000                                                         | 14725         | 14                          |
|                  | R4507523           | 6                  |                             | 14                               | 20       |       |                                        |                                                              |               | 16                          |
|                  | R4507524           | 8                  |                             | 16                               | 24       |       |                                        |                                                              |               | 18                          |
|                  | R4507525           | 10                 |                             | 18                               | 28       |       |                                        |                                                              |               | 19                          |
|                  | R4507526           | 12                 |                             | 20                               | 32       |       |                                        |                                                              |               | 21                          |
|                  | R4507527           | 14                 |                             | 22                               | 36       |       |                                        |                                                              |               | 23                          |
|                  | R4507528           | 16                 |                             | 24                               | 40       |       |                                        |                                                              |               | 25                          |
|                  | R4507529           | 18                 |                             | 26                               | 44       |       |                                        |                                                              |               | 27                          |
|                  | R4507530           | 20                 |                             | 28                               | 48       |       |                                        |                                                              |               | 29                          |
|                  | R4507531           | 24                 |                             | 32                               | 56       |       |                                        |                                                              |               | 33                          |
|                  | R4507532           | 30                 |                             | 38                               | 68       |       |                                        |                                                              |               | 39                          |
|                  | R4507533           | 32                 |                             | 40                               | 72       |       |                                        |                                                              |               | 40                          |
|                  | R4507534           | 36                 |                             | 44                               | 80       |       |                                        |                                                              |               | 44                          |
|                  | R4507535           | 40                 |                             | 48                               | 88       |       |                                        |                                                              |               | 48                          |
|                  | R4507536           | 48                 |                             | 56                               | 104      |       |                                        |                                                              |               | 56                          |

All Specifications are subject to change without notice. All weights are approximate shipping weights.



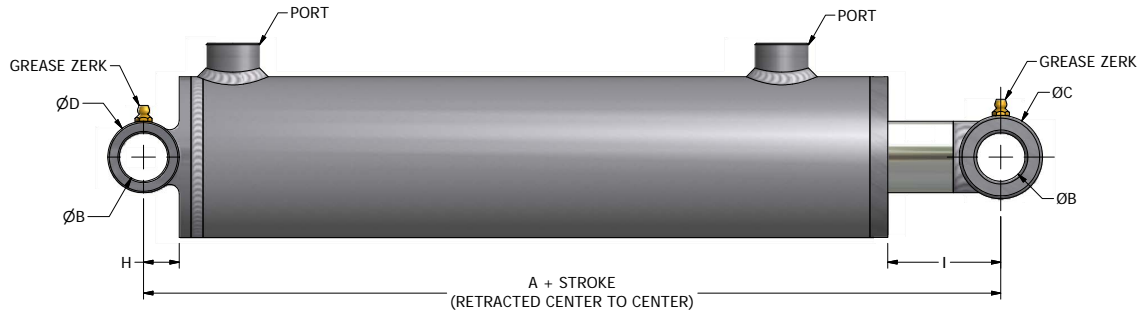
**YORK CROSS TUBE  
CYLINDERS**

| Bore<br>(inches) | RAM<br>Part Number | Stroke<br>(inches) | Rod<br>Diameter<br>(inches) | Pin Center to Center<br>(inches) |          | Ports | Pin<br>Diameter<br>Nominal<br>(inches) | Maximum Rated<br>Pressure & Column<br>Load on Full Extension |               | Shipping<br>Weight<br>(lbs) |
|------------------|--------------------|--------------------|-----------------------------|----------------------------------|----------|-------|----------------------------------------|--------------------------------------------------------------|---------------|-----------------------------|
|                  |                    |                    |                             | Retracted                        | Extended |       |                                        | Pressure<br>(PSI)                                            | Load<br>(lbf) |                             |
| 3.00             | R4507537           | 4                  | 1.500                       | 12                               | 16       | SAE-8 | 1.000                                  | 3000                                                         | 21205         | 17                          |
|                  | R4507538           | 6                  |                             | 14                               | 20       |       |                                        |                                                              |               | 19                          |
|                  | R4507539           | 8                  |                             | 16                               | 24       |       |                                        |                                                              |               | 21                          |
|                  | R4507540           | 10                 |                             | 18                               | 28       |       |                                        |                                                              |               | 23                          |
|                  | R4507541           | 12                 |                             | 20                               | 32       |       |                                        |                                                              |               | 26                          |
|                  | R4507542           | 14                 |                             | 22                               | 36       |       |                                        |                                                              |               | 28                          |
|                  | R4507543           | 16                 |                             | 24                               | 40       |       |                                        |                                                              |               | 30                          |
|                  | R4507544           | 18                 |                             | 26                               | 44       |       |                                        |                                                              |               | 32                          |
|                  | R4507545           | 20                 |                             | 28                               | 48       |       |                                        |                                                              |               | 34                          |
|                  | R4507546           | 24                 |                             | 32                               | 56       |       |                                        |                                                              |               | 38                          |
|                  | R4507547           | 30                 |                             | 38                               | 68       |       |                                        | 44                                                           |               |                             |
|                  | R4507548           | 32                 |                             | 40                               | 72       |       |                                        | 46                                                           |               |                             |
|                  | R4507549           | 36                 |                             | 44                               | 80       |       |                                        | 50                                                           |               |                             |
|                  | R4507550           | 40                 |                             | 48                               | 88       |       |                                        | 55                                                           |               |                             |
| R4507551         | 48                 | 56                 | 104                         | 63                               |          |       |                                        |                                                              |               |                             |
| 3.50             | R4507552           | 4                  | 1.750                       | 12                               | 16       | SAE-8 | 1.000                                  | 3000                                                         | 28860         | 24                          |
|                  | R4507553           | 6                  |                             | 14                               | 20       |       |                                        |                                                              |               | 26                          |
|                  | R4507554           | 8                  |                             | 16                               | 24       |       |                                        |                                                              |               | 29                          |
|                  | R4507555           | 10                 |                             | 18                               | 28       |       |                                        |                                                              |               | 31                          |
|                  | R4507556           | 12                 |                             | 20                               | 32       |       |                                        |                                                              |               | 34                          |
|                  | R4507557           | 14                 |                             | 22                               | 36       |       |                                        |                                                              |               | 37                          |
|                  | R4507558           | 16                 |                             | 24                               | 40       |       |                                        |                                                              |               | 39                          |
|                  | R4507559           | 18                 |                             | 26                               | 44       |       |                                        |                                                              |               | 42                          |
|                  | R4507560           | 20                 |                             | 28                               | 48       |       |                                        |                                                              |               | 44                          |
|                  | R4507561           | 24                 |                             | 32                               | 56       |       |                                        |                                                              |               | 50                          |
|                  | R4507562           | 30                 |                             | 38                               | 68       |       |                                        | 57                                                           |               |                             |
|                  | R4507563           | 32                 |                             | 40                               | 72       |       |                                        | 60                                                           |               |                             |
|                  | R4507564           | 36                 |                             | 44                               | 80       |       |                                        | 65                                                           |               |                             |
|                  | R4507565           | 40                 |                             | 48                               | 88       |       |                                        | 70                                                           |               |                             |
| R4507566         | 48                 | 56                 | 104                         | 80                               |          |       |                                        |                                                              |               |                             |
| 4.00             | R4507567           | 4                  | 2.000                       | 12                               | 16       | SAE-8 | 1.250                                  | 3000                                                         | 37700         | 32                          |
|                  | R4507568           | 6                  |                             | 14                               | 20       |       |                                        |                                                              |               | 35                          |
|                  | R4507569           | 8                  |                             | 16                               | 24       |       |                                        |                                                              |               | 39                          |
|                  | R4507570           | 10                 |                             | 18                               | 28       |       |                                        |                                                              |               | 43                          |
|                  | R4507571           | 12                 |                             | 20                               | 32       |       |                                        |                                                              |               | 47                          |
|                  | R4507572           | 14                 |                             | 22                               | 36       |       |                                        |                                                              |               | 50                          |
|                  | R4507573           | 16                 |                             | 24                               | 40       |       |                                        |                                                              |               | 54                          |
|                  | R4507574           | 18                 |                             | 26                               | 44       |       |                                        |                                                              |               | 58                          |
|                  | R4507575           | 20                 |                             | 28                               | 48       |       |                                        |                                                              |               | 62                          |
|                  | R4507576           | 24                 |                             | 32                               | 56       |       |                                        |                                                              |               | 69                          |
|                  | R4507577           | 30                 |                             | 38                               | 68       |       |                                        | 80                                                           |               |                             |
|                  | R4507578           | 32                 |                             | 40                               | 72       |       |                                        | 84                                                           |               |                             |
|                  | R4507579           | 36                 |                             | 44                               | 80       |       |                                        | 91                                                           |               |                             |
|                  | R4507580           | 40                 |                             | 48                               | 88       |       |                                        | 98                                                           |               |                             |
| R4507581         | 48                 | 56                 | 104                         | 113                              |          |       |                                        |                                                              |               |                             |

\*Conforms to ASAE (American Society of Agricultural Engineers) specifications.

All Specifications are subject to change without notice. All weights are approximate shipping weights.





## CROSS TUBE SERIES DIMENSIONS

| Bore (inches) | A    | B     | C    | D    | E    | F    | G    | H    | I    | Ports |
|---------------|------|-------|------|------|------|------|------|------|------|-------|
| 1.50          | 8.00 | 0.765 | 1.25 | 1.25 | 2.25 | 2.00 | 1.88 | 0.63 | 4.06 | SAE-6 |
| 2.00          | 8.00 | 1.015 | 1.75 | 1.50 | 2.75 | 2.25 | 2.38 | 0.75 | 2.81 | SAE-6 |
| 2.50          | 8.00 | 1.015 | 1.75 | 1.50 | 3.25 | 2.25 | 2.88 | 0.75 | 2.56 | SAE-6 |
| 3.00          | 8.00 | 1.015 | 1.75 | 1.50 | 3.75 | 2.25 | 3.38 | 0.75 | 2.44 | SAE-8 |
| 3.50          | 8.00 | 1.015 | 1.75 | 2.00 | 4.25 | 2.25 | 3.88 | 1.00 | 2.13 | SAE-8 |
| 4.00          | 8.00 | 1.265 | 2.00 | 2.25 | 4.75 | 2.75 | 4.50 | 1.13 | 1.81 | SAE-8 |

Measurements for A, B, C, D, E, F, G, H, I are in inches.

All Specifications are subject to change without notice.

| RAM York Cylinder Seal Kits |                 |                       |                       |
|-----------------------------|-----------------|-----------------------|-----------------------|
| Bore (inches)               | RAM Part Number | Rod Diameter (inches) | Shipping Weight (lbs) |
| 1.500                       | R3607500        | 1.000                 | 0.03                  |
| 2.000                       | R3607507        | 1.250                 | 0.04                  |
| 2.500                       | R3607522        | 1.500                 | 0.06                  |
| 3.000                       | R3607537        | 1.500                 | 0.07                  |
| 3.500                       | R3607552        | 1.750                 | 0.08                  |
| 4.000                       | R3607567        | 2.000                 | 0.08                  |

All Specifications are subject to change without notice.  
All weights are approximate shipping weights.



**YORK CROSS TUBE  
CYLINDERS**

# YORK CLEVIS

The YORK Clevis is a high quality welded cylinder utilizing a strong forged steel base. The rod clevis are threaded on with a clamping locking bolt that prevents thread damage. Designed for performance, the YORK Clevis has a heavy duty piston and piston stem. The internally threaded gland reduces the cross section and is easily removed for maintenance. YORK Clevis cylinders are perfect for construction, agricultural and general use applications.

## STANDARD FEATURES

**Intended Use:** Double acting applications

**Rated Pressure:** 3000 PSI

**Rod Material:** High tensile SAE C1045, ground and polished hard chrome plated

**Barrel Material:** High tensile SAE C1026/St52.3 cold drawn tube precision honed for extended seal life

**Gland Material:** Ductile iron 65-45-12 (ASTM A536)

**Piston Material:** Ductile iron 65-45-12 (ASTM A536)

**Piston Locknut:** High tensile grade C

**End Mounts:** Female clevis

**Clevis Clamp:** Grade 8 bolt and nut

**Ports:** SAE

**Port Plugs:** High quality steel

**Internal Seals:** North American

**Paint Finish:** 2 part urethane black (or custom colors)

**Testing:** 100% full cycle tested

| Bore<br>(inches) | RAM<br>Part Number | Stroke<br>(inches) | Rod<br>Diameter<br>(inches) | Pin Center to Center<br>(inches) |          | Ports | Pin<br>Diameter<br>Nominal<br>(inches) | Maximum Rated<br>Pressure & Column<br>Load on Full Extension |               | Shipping<br>Weight<br>(lbs) |
|------------------|--------------------|--------------------|-----------------------------|----------------------------------|----------|-------|----------------------------------------|--------------------------------------------------------------|---------------|-----------------------------|
|                  |                    |                    |                             | Retracted                        | Extended |       |                                        | Pressure<br>(PSI)                                            | Load<br>(lbf) |                             |
| 2.00             | R4507600           | 4                  | 1.250                       | 14.25                            | 18.25    | SAE-6 | 1.000                                  | 3000                                                         | 9425          | 13                          |
|                  | R4507601           | 6                  |                             | 16.25                            | 22.25    |       |                                        |                                                              |               | 14                          |
|                  | R4507602*          | 8                  |                             | 20.25                            | 28.25    |       |                                        |                                                              |               | 16                          |
|                  | R4507603           | 10                 |                             | 20.25                            | 30.25    |       |                                        |                                                              |               | 17                          |
|                  | R4507604           | 12                 |                             | 22.25                            | 34.25    |       |                                        |                                                              |               | 18                          |
|                  | R4507605           | 14                 |                             | 24.25                            | 38.25    |       |                                        |                                                              |               | 20                          |
|                  | R4507606           | 16                 |                             | 26.25                            | 42.25    |       |                                        |                                                              |               | 21                          |
|                  | R4507607           | 18                 |                             | 28.25                            | 46.25    |       |                                        |                                                              |               | 23                          |
|                  | R4507608           | 20                 |                             | 30.25                            | 50.25    |       |                                        |                                                              |               | 24                          |
|                  | R4507609           | 24                 |                             | 34.25                            | 58.25    |       |                                        |                                                              |               | 27                          |
|                  | R4507610           | 30                 |                             | 40.25                            | 70.25    |       |                                        |                                                              |               | 31                          |
|                  | R4507611           | 32                 |                             | 42.25                            | 74.25    |       |                                        |                                                              |               | 33                          |
|                  | R4507612           | 36                 |                             | 46.25                            | 82.25    |       |                                        |                                                              |               | 35                          |
|                  | R4507613           | 40                 |                             | 50.25                            | 90.25    |       |                                        |                                                              |               | 38                          |
| R4507614         | 48                 | 58.25              | 106.25                      | 44                               |          |       |                                        |                                                              |               |                             |
| 2.50             | R4507615           | 4                  | 1.500                       | 14.25                            | 18.25    | SAE-6 | 1.000                                  | 3000                                                         | 14725         | 16                          |
|                  | R4507616           | 6                  |                             | 16.25                            | 22.25    |       |                                        |                                                              |               | 18                          |
|                  | R4507617*          | 8                  |                             | 20.25                            | 28.25    |       |                                        |                                                              |               | 20                          |
|                  | R4507618           | 10                 |                             | 20.25                            | 30.25    |       |                                        |                                                              |               | 21                          |
|                  | R4507619           | 12                 |                             | 22.25                            | 34.25    |       |                                        |                                                              |               | 23                          |
|                  | R4507620           | 14                 |                             | 24.25                            | 38.25    |       |                                        |                                                              |               | 26                          |
|                  | R4507621           | 16                 |                             | 26.25                            | 42.25    |       |                                        |                                                              |               | 27                          |
|                  | R4507622           | 18                 |                             | 28.25                            | 46.25    |       |                                        |                                                              |               | 29                          |
|                  | R4507623           | 20                 |                             | 30.25                            | 50.25    |       |                                        |                                                              |               | 31                          |
|                  | R4507624           | 24                 |                             | 34.25                            | 58.25    |       |                                        |                                                              |               | 35                          |
|                  | R4507625           | 30                 |                             | 40.25                            | 70.25    |       |                                        |                                                              |               | 41                          |
|                  | R4507626           | 32                 |                             | 42.25                            | 74.25    |       |                                        |                                                              |               | 42                          |
|                  | R4507627           | 36                 |                             | 46.25                            | 82.25    |       |                                        |                                                              |               | 46                          |
|                  | R4507628           | 40                 |                             | 50.25                            | 90.25    |       |                                        |                                                              |               | 50                          |
|                  | R4507629           | 48                 |                             | 58.25                            | 106.25   |       |                                        |                                                              |               | 58                          |

\*Conforms to ASAE (American Society of Agricultural Engineers) specifications.

All Specifications are subject to change without notice. All weights are approximate shipping weights.

YORK CLEVIS  
CYLINDERS



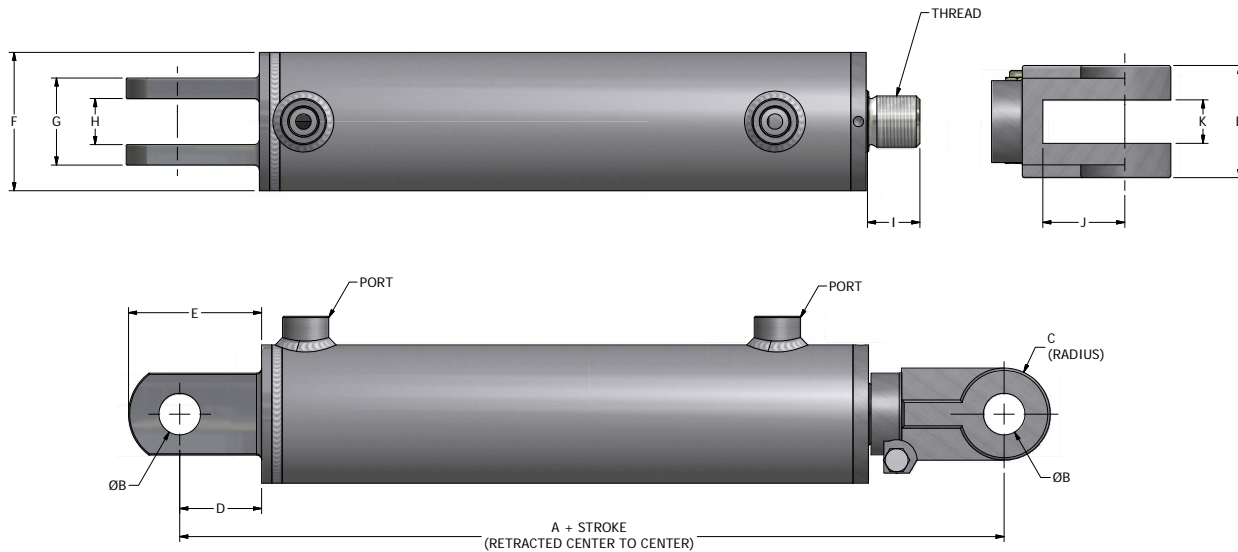
| Bore<br>(inches) | RAM<br>Part Number | Stroke<br>(inches) | Rod<br>Diameter<br>(inches) | Pin Center to Center<br>(inches) |          | Ports | Pin<br>Diameter<br>Nominal<br>(inches) | Maximum Rated<br>Pressure & Column<br>Load on Full Extension |               | Shipping<br>Weight<br>(lbs) |
|------------------|--------------------|--------------------|-----------------------------|----------------------------------|----------|-------|----------------------------------------|--------------------------------------------------------------|---------------|-----------------------------|
|                  |                    |                    |                             | Retracted                        | Extended |       |                                        | Pressure<br>(PSI)                                            | Load<br>(lbf) |                             |
| 3.00             | R4507630           | 4                  | 1.500                       | 14.25                            | 18.25    | SAE-8 | 1.000                                  | 3000                                                         | 21205         | 19                          |
|                  | R4507631           | 6                  |                             | 16.25                            | 22.25    |       |                                        |                                                              |               | 21                          |
|                  | R4507632*          | 8                  |                             | 20.25                            | 28.25    |       |                                        |                                                              |               | 24                          |
|                  | R4507633           | 10                 |                             | 20.25                            | 30.25    |       |                                        |                                                              |               | 25                          |
|                  | R4507634           | 12                 |                             | 22.25                            | 34.25    |       |                                        |                                                              |               | 27                          |
|                  | R4507635           | 14                 |                             | 24.25                            | 38.25    |       |                                        |                                                              |               | 29                          |
|                  | R4507636           | 16                 |                             | 26.25                            | 42.25    |       |                                        |                                                              |               | 31                          |
|                  | R4507637           | 18                 |                             | 28.25                            | 46.25    |       |                                        |                                                              |               | 33                          |
|                  | R4507638           | 20                 |                             | 30.25                            | 50.25    |       |                                        |                                                              |               | 35                          |
|                  | R4507639           | 24                 |                             | 34.25                            | 58.25    |       |                                        |                                                              |               | 40                          |
|                  | R4507640           | 30                 |                             | 40.25                            | 70.25    |       |                                        |                                                              |               | 46                          |
|                  | R4507641           | 32                 |                             | 42.25                            | 74.25    |       |                                        |                                                              |               | 48                          |
|                  | R4507642           | 36                 |                             | 46.25                            | 82.25    |       |                                        |                                                              |               | 52                          |
|                  | R4507643           | 40                 |                             | 50.25                            | 90.25    |       |                                        |                                                              |               | 56                          |
| R4507644         | 48                 | 58.25              | 106.25                      | 64                               |          |       |                                        |                                                              |               |                             |
| 3.50             | R4507645           | 4                  | 1.750                       | 14.25                            | 18.25    | SAE-8 | 1.000                                  | 3000                                                         | 28860         | 23                          |
|                  | R4507646           | 6                  |                             | 16.25                            | 22.25    |       |                                        |                                                              |               | 26                          |
|                  | R4507647*          | 8                  |                             | 20.25                            | 28.25    |       |                                        |                                                              |               | 30                          |
|                  | R4507648           | 10                 |                             | 20.25                            | 30.25    |       |                                        |                                                              |               | 31                          |
|                  | R4507649           | 12                 |                             | 22.25                            | 34.25    |       |                                        |                                                              |               | 34                          |
|                  | R4507650           | 14                 |                             | 24.25                            | 38.25    |       |                                        |                                                              |               | 36                          |
|                  | R4507651           | 16                 |                             | 26.25                            | 42.25    |       |                                        |                                                              |               | 39                          |
|                  | R4507652           | 18                 |                             | 28.25                            | 46.25    |       |                                        |                                                              |               | 41                          |
|                  | R4507653           | 20                 |                             | 30.25                            | 50.25    |       |                                        |                                                              |               | 44                          |
|                  | R4507654           | 24                 |                             | 34.25                            | 58.25    |       |                                        |                                                              |               | 49                          |
|                  | R4507655           | 30                 |                             | 40.25                            | 70.25    |       |                                        |                                                              |               | 57                          |
|                  | R4507656           | 32                 |                             | 42.25                            | 74.25    |       |                                        |                                                              |               | 60                          |
|                  | R4507657           | 36                 |                             | 46.25                            | 82.25    |       |                                        |                                                              |               | 65                          |
|                  | R4507658           | 40                 |                             | 50.25                            | 90.25    |       |                                        |                                                              |               | 70                          |
| R4507659         | 48                 | 58.25              | 106.25                      | 80                               |          |       |                                        |                                                              |               |                             |
| 4.00             | R4507660           | 4                  | 2.000                       | 14.25                            | 18.25    | SAE-8 | 1.000                                  | 3000                                                         | 37700         | 30                          |
|                  | R4507661           | 6                  |                             | 16.25                            | 22.25    |       |                                        |                                                              |               | 33                          |
|                  | R4507662*          | 8                  |                             | 20.25                            | 28.25    |       |                                        |                                                              |               | 39                          |
|                  | R4507663           | 10                 |                             | 20.25                            | 30.25    |       |                                        |                                                              |               | 41                          |
|                  | R4507664           | 12                 |                             | 22.25                            | 34.25    |       |                                        |                                                              |               | 45                          |
|                  | R4507665           | 14                 |                             | 24.25                            | 38.25    |       |                                        |                                                              |               | 48                          |
|                  | R4507666           | 16                 |                             | 26.25                            | 42.25    |       |                                        |                                                              |               | 52                          |
|                  | R4507667           | 18                 |                             | 28.25                            | 46.25    |       |                                        |                                                              |               | 56                          |
|                  | R4507668           | 20                 |                             | 30.25                            | 50.25    |       |                                        |                                                              |               | 59                          |
|                  | R4507669           | 24                 |                             | 34.25                            | 58.25    |       |                                        |                                                              |               | 67                          |
|                  | R4507670           | 30                 |                             | 40.25                            | 70.25    |       |                                        |                                                              |               | 78                          |
|                  | R4507671           | 32                 |                             | 42.25                            | 74.25    |       |                                        |                                                              |               | 82                          |
|                  | R4507672           | 36                 |                             | 46.25                            | 82.25    |       |                                        |                                                              |               | 89                          |
|                  | R4507673           | 40                 |                             | 50.25                            | 90.25    |       |                                        |                                                              |               | 96                          |
| R4507674         | 48                 | 58.25              | 106.25                      | 111                              |          |       |                                        |                                                              |               |                             |

\*Conforms to ASAE (American Society of Agricultural Engineers) specifications.

All Specifications are subject to change without notice. All weights are approximate shipping weights.



**YORK CLEVIS  
CYLINDERS**



## CLEVIS SERIES DIMENSIONS

| Bore (inches) | A      | B     | C    | D    | E    | F    | G    | H    | I    | J    | K    | L    | Ports | Thread        |
|---------------|--------|-------|------|------|------|------|------|------|------|------|------|------|-------|---------------|
| 2.00          | 10.25* | 1.015 | 1.13 | 2.00 | 3.25 | 2.38 | 2.13 | 1.13 | 1.13 | 2.00 | 1.13 | 2.75 | SAE-6 | 1.250 - 12UNF |
| 2.50          | 10.25* | 1.015 | 1.13 | 2.00 | 3.25 | 2.88 | 2.13 | 1.13 | 1.13 | 2.00 | 1.13 | 2.75 | SAE-6 | 1.250 - 12UNF |
| 3.00          | 10.25* | 1.015 | 1.13 | 2.00 | 3.25 | 3.38 | 2.13 | 1.13 | 1.13 | 2.00 | 1.13 | 2.75 | SAE-8 | 1.250 - 12UNF |
| 3.50          | 10.25* | 1.015 | 1.13 | 2.00 | 3.25 | 3.88 | 2.38 | 1.13 | 1.13 | 2.00 | 1.13 | 2.75 | SAE-8 | 1.250 - 12UNF |
| 4.00          | 10.25* | 1.015 | 1.13 | 2.00 | 3.25 | 4.50 | 2.63 | 1.13 | 1.13 | 2.00 | 1.13 | 2.75 | SAE-8 | 1.250 - 12UNF |

\* For the standard ASAE (8" stroke) cylinders this dimension is 12.25"

Measurements for A, B, C, D, E, F, G, H, I, J, K, L are in inches.

All Specifications are subject to change without notice.

| RAM York Cylinder Components |              |                   |                       |
|------------------------------|--------------|-------------------|-----------------------|
| RAM Part Number              | Item         | Size              | Shipping Weight (lbs) |
| R7600455                     | Shaft Clevis | Fits 1 1/4" Shaft | 3.30                  |
| R7600455                     | Shaft Clevis | Fits 1 1/2" Shaft | 3.30                  |
| R7600455                     | Shaft Clevis | Fits 1 3/4" Shaft | 3.30                  |
| R7600455                     | Shaft Clevis | Fits 2" Shaft     | 3.30                  |
| R3006631                     | Pin          | 1" x 2 7/8"       | 0.80                  |
| R3006632                     | Pin          | 1" x 2 1/4"       | 0.60                  |
| R3006300                     | Clip         | Hairpin Clip      | 0.02                  |

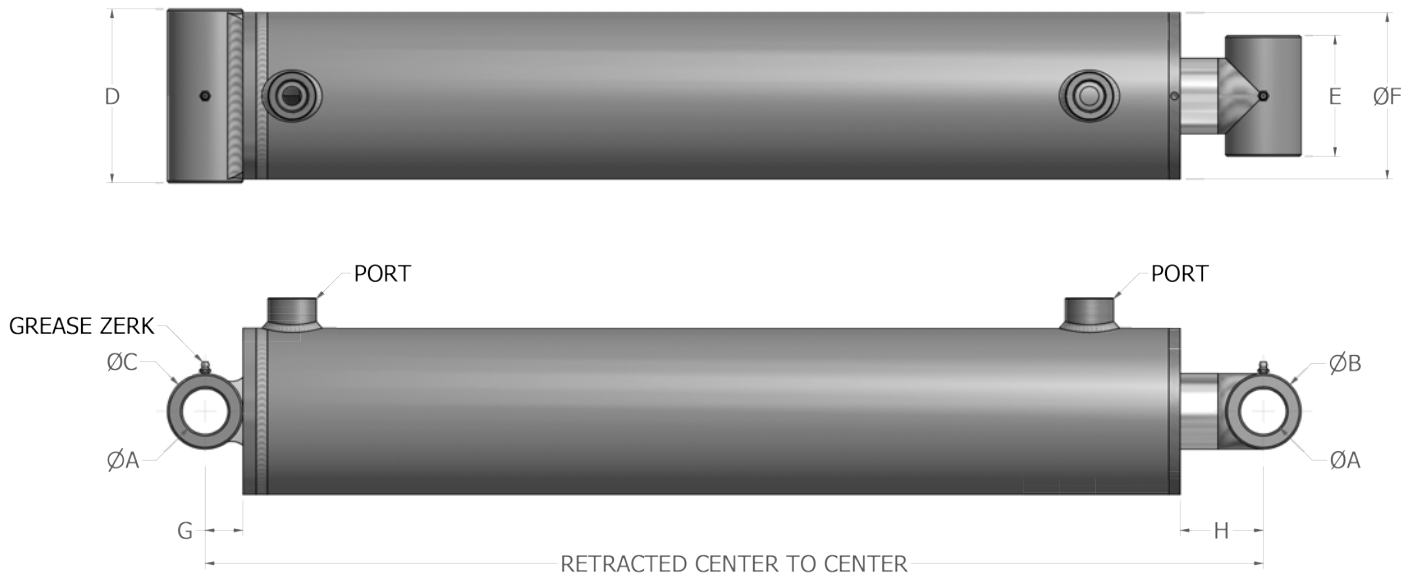
All Specifications are subject to change without notice.  
All weights are approximate shipping weights.

# HEAVY DUTY YORK

**RAM** YORK Heavy Duty Cross Tube is a high quality welded cylinder designed for heavy loads and extreme duty. The rod and base ends are welded cross tubes with grease zerks. Designed to last, this cylinder has a heavy duty piston with high pressure seal and wearing ring and a over sized piston stem. The internally threaded gland reduces the cross section and features wear rings to reduce friction and increase rod support. The gland is easily removed for maintenance. YORK Heavy Duty cylinders are perfect for construction, agricultural, oil and gas sector, waste/recycling and trailer manufacturing.

## STANDARD FEATURES

|                         |                                                                                      |                        |                                          |
|-------------------------|--------------------------------------------------------------------------------------|------------------------|------------------------------------------|
| <b>Intended Use:</b>    | Double acting applications                                                           | <b>Piston Locknut:</b> | High tensile grade C                     |
| <b>Rated Pressure:</b>  | 3000 PSI                                                                             | <b>End Mounts:</b>     | Cross tube                               |
| <b>Rod Material:</b>    | High tensile SAE C1045, ground and polished hard chrome plated                       | <b>Ports:</b>          | SAE                                      |
| <b>Barrel Material:</b> | High tensile SAE C1026/St52.3 cold drawn tube precision honed for extended seal life | <b>Port Plugs:</b>     | High quality steel                       |
| <b>Gland Material:</b>  | Ductile iron 65-45-12 (ASTM A536)                                                    | <b>Internal Seals:</b> | North American                           |
| <b>Piston Material:</b> | Ductile iron 65-45-12 (ASTM A536)                                                    | <b>Paint Finish:</b>   | 2 part urethane black (or custom colors) |
|                         |                                                                                      | <b>Testing:</b>        | 100% full cycle tested                   |



**YORK HEAVY DUTY  
CYLINDERS**



| Bore<br>(inches) | A     | B    | C    | D    | E    | F    | G    | H    | Ports  |
|------------------|-------|------|------|------|------|------|------|------|--------|
| 5.00             | 1.515 | 2.50 | 2.50 | 5.75 | 4.00 | 5.50 | 1.25 | 2.75 | SAE-12 |
| 6.00             | 1.515 | 2.50 | 2.50 | 5.75 | 4.00 | 6.50 | 1.25 | 2.75 | SAE-12 |
| 8.00             | 2.515 | 4.00 | 4.00 | 9.00 | 5.00 | 8.75 | 2.00 | 3.50 | SAE-16 |

Measurements for A, B, C, D, E, F, G,H are in inches.

All Specifications are subject to change without notice.

| Bore<br>(inches) | RAM<br>Part Number | Stroke<br>(inches) | Rod<br>Diameter<br>(inches) | Pin Center to Center<br>(inches) |          | Ports  | Pin<br>Diameter<br>Nominal<br>(inches) | Maximum Rated<br>Pressure & Column<br>Load on Full Extension |               | Shipping<br>Weight<br>(lbs) |
|------------------|--------------------|--------------------|-----------------------------|----------------------------------|----------|--------|----------------------------------------|--------------------------------------------------------------|---------------|-----------------------------|
|                  |                    |                    |                             | Retracted                        | Extended |        |                                        | Pressure<br>(PSI)                                            | Load<br>(lbf) |                             |
| 5.00             | R4508545           | 8                  | 2.500                       | 19                               | 27       | SAE-12 | 1.500                                  | 3000                                                         | 58900         | 68                          |
|                  | R4508546           | 12                 |                             | 23                               | 35       |        |                                        |                                                              |               | 79                          |
|                  | R4508547           | 16                 |                             | 27                               | 43       |        |                                        |                                                              |               | 89                          |
|                  | R4508548           | 20                 |                             | 31                               | 51       |        |                                        |                                                              |               | 99                          |
|                  | R4508549           | 24                 |                             | 35                               | 59       |        |                                        |                                                              |               | 109                         |
|                  | R4508550           | 30                 |                             | 41                               | 71       |        |                                        |                                                              |               | 124                         |
|                  | R4508551           | 36                 |                             | 47                               | 83       |        |                                        |                                                              |               | 140                         |
|                  | R4508552           | 48                 |                             | 61                               | 109      |        |                                        |                                                              |               | 178                         |
|                  | R4508553           | 54                 |                             | 68                               | 122      |        |                                        |                                                              |               | 197                         |
|                  | R4508554           | 60                 |                             | 75                               | 135      |        |                                        |                                                              |               | 217                         |
| 6.00             | R4508555           | 8                  | 3.000                       | 19                               | 27       | SAE-12 | 1.500                                  | 3000                                                         | 84823         | 88                          |
|                  | R4508556           | 12                 |                             | 23                               | 35       |        |                                        |                                                              |               | 101                         |
|                  | R4508557           | 16                 |                             | 27                               | 43       |        |                                        |                                                              |               | 115                         |
|                  | R4508558           | 20                 |                             | 31                               | 51       |        |                                        |                                                              |               | 128                         |
|                  | R4508559           | 24                 |                             | 35                               | 59       |        |                                        |                                                              |               | 142                         |
|                  | R4508560           | 30                 |                             | 41                               | 71       |        |                                        |                                                              |               | 163                         |
|                  | R4508561           | 36                 |                             | 47                               | 83       |        |                                        |                                                              |               | 183                         |
|                  | R4508562           | 48                 |                             | 61                               | 109      |        |                                        |                                                              |               | 234                         |
|                  | R4508563           | 54                 |                             | 68                               | 122      |        |                                        |                                                              |               | 259                         |
|                  | R4508564           | 60                 |                             | 75                               | 135      |        |                                        |                                                              |               | 285                         |
| 8.00             | R4508796           | 8                  | 4.000                       | 24                               | 32       | SAE-16 | 2.500                                  | 3000                                                         | 150795        | 250                         |
|                  | R4508797           | 12                 |                             | 28                               | 40       |        |                                        |                                                              |               | 275                         |
|                  | R4508798           | 16                 |                             | 32                               | 48       |        |                                        |                                                              |               | 300                         |
|                  | R4508799           | 20                 |                             | 36                               | 56       |        |                                        |                                                              |               | 325                         |
|                  | R4508800           | 24                 |                             | 40                               | 64       |        |                                        |                                                              |               | 350                         |
|                  | R4508801           | 30                 |                             | 46                               | 76       |        |                                        |                                                              |               | 385                         |
|                  | R4508802           | 36                 |                             | 52                               | 88       |        |                                        |                                                              |               | 425                         |
|                  | R4508803           | 48                 |                             | 66                               | 114      |        |                                        |                                                              |               | 500                         |
|                  | R4508804           | 54                 |                             | 73                               | 127      |        |                                        |                                                              |               | 540                         |
|                  | R4508805           | 60                 |                             | 80                               | 140      |        |                                        |                                                              |               | 580                         |

All Specifications are subject to change without notice.  
All weights are approximate shipping weights.



## **RAM** INDUSTRIES INC.

PO Box 5007 33 York Rd E Yorkton, SK S3N3Z4 Canada  
T: 1-877-799-1005 • F: (306) 786-2651  
[www.ramindustries.com](http://www.ramindustries.com) • [sales@ramindustries.com](mailto:sales@ramindustries.com)



[www.ramindustries.com](http://www.ramindustries.com)

Hydraulic Cylinder Design & Manufacturing • Precision Custom Machining